



YANMAR

ULTRA-MINI EXCAVATOR

SV08-1C

[Gross] 7.7kW <10.3HP>







SV08-1C

Designed to work
in confined spaces



**BUILDING
WITH YOU**



680mm

Retracted undercarriage width (folded blade)



840mm

Extended undercarriage width (extended blade)

Sliding Variable Undercarriage

The undercarriage retracts to 680mm to fit through narrow passages and extends to 840mm for stability while working.

Simple Folding Extendable Blade

The hinged blade extensions are permanently fixed to the blade. No tools required to change the width of the blade. No risk of losing the blade extensions.



Remove the pin.



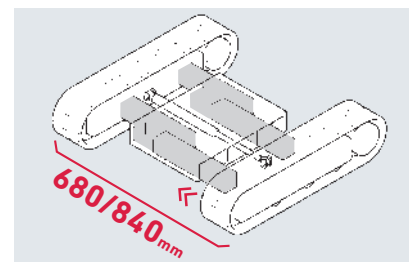
Fold it.



Insert the pin to secure.

Robust Structure

YANMAR ORIGINAL



You can extend it independently with a separate lever. Robust structure prevents rattling. When the undercarriage is retracted, the soil is forcibly removed away.

Excellent performance in a small package



305mm Ultra small rear overhang



Ultra Small Turning Radius

The super compact design features an ultra small turning radius of 725mm and keeps rear overhang to just 305mm. It ensures safe operation in confined spaces.

Foldable ROPS* Bar

Foldable ROPS bar minimizes the damage in case of an accident. Folds down to allow pass through height restricted passages.



High Performance Engine

High performance engine provides a powerful boost for tough works.



Clean and Low-Noise

Ultra-low noise design, friendly to people and the environment.



Low and High Speed Traveling

Save time by traveling faster around your job site.

* Roll-Over Protective Structure (ROPS): A structure to protect the operator wearing a seat belt, in case the machine rolls over.

Easy maintenance and enhanced safety



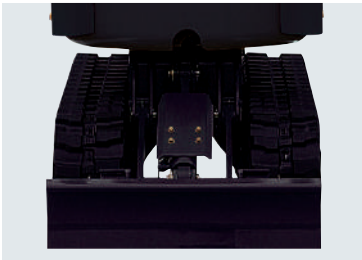
Wide-open bonnet.



Bucket cylinder hose designed inside the arm.



The boom hose and cylinder are covered for protection.



The blade cylinder is protected with a special guard.



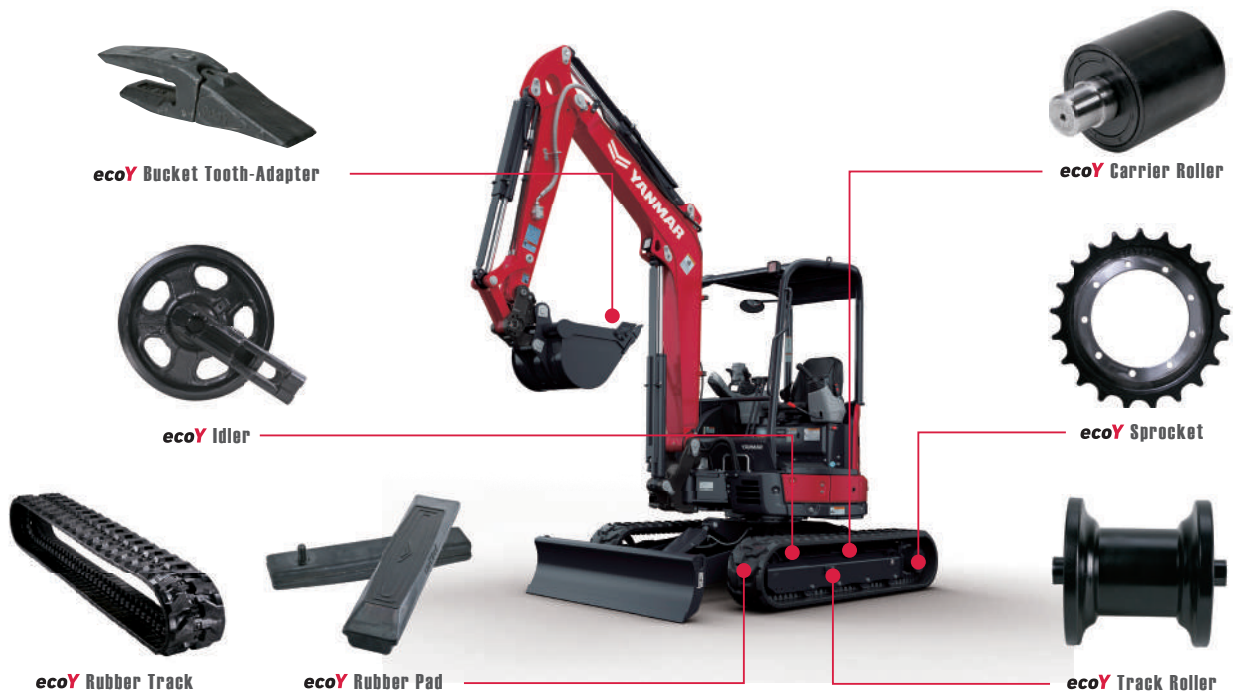
P.T.O. specification (boom end)

YANMAR's recommended parts

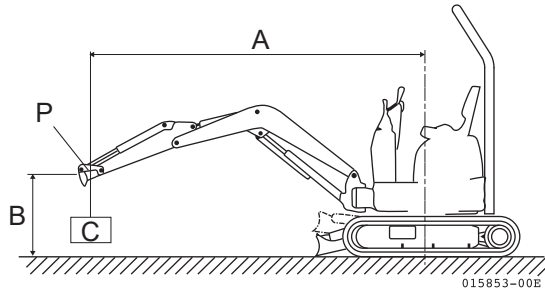
ecoY
GUARANTEED QUALITY & DURABILITY



Watch the video



Lifting Capacity



With: ROPS bar and rubber track
Without: Bucket

A: Reach from swing center line [m (in.)]

B: Load point height [m (in.)]

C: Lifting load [kg (lbs.)]

P: Load point

: Rating over front

: Rating over side or 180 degrees

Loads shown in table include weight of standard bucket [18kg (40lbs.)].

Blade on ground [Track width : 840mm (extended)]

Unit: kg (lbs.)

A [m (in.)]	Max.		2.0 (78.7)		1.5 (59.1)		Min.	
B [m (in.)]								
2.0 (78.7)	*220 (485)	-	-	-	-	-	-	-
1.5 (59.1)	*220 (485)	-	*220 (485)	-	*270 (595)	-	-	-
1.0 (39.4)	*230 (507)	-	*260 (573)	-	*350 (772)	-	*490 (1080)	-
0.5 (19.7)	*240 (529)	-	*300 (662)	-	*470 (1036)	-	*590 (1301)	-
0 (0)	*240 (529)	-	*320 (706)	-	*480 (1058)	-	*630 (1389)	-
-0.5 (-19.7)	*260 (573)	-	*280 (617)	-	*430 (948)	-	-	-
-1.0 (-39.4)	*230 (507)	-	-	-	-	-	-	-

Blade above ground [Track width : 840mm (extended)]

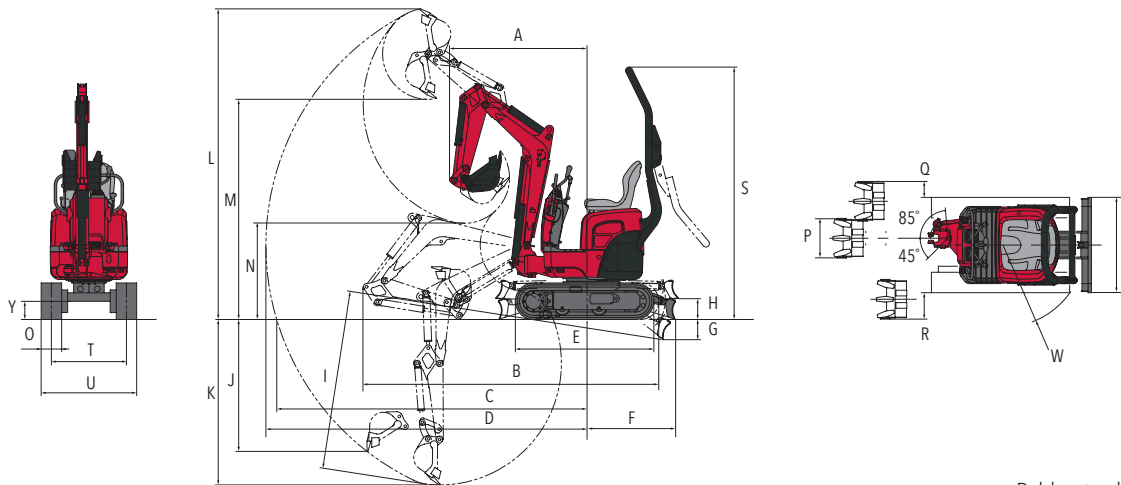
Unit: kg (lbs.)

A [m (in.)]	Max.		2.0 (78.7)		1.5 (59.1)		Min.	
B [m (in.)]								
2.0 (78.7)	190 (419)	160 (353)	-	-	-	-	-	-
1.5 (59.1)	150 (331)	120 (265)	170 (375)	150 (331)	*240 (529)	200 (441)	-	-
1.0 (39.4)	130 (287)	110 (243)	170 (375)	140 (309)	280 (617)	230 (507)	380 (838)	300 (662)
0.5 (19.7)	130 (287)	100 (221)	170 (375)	130 (287)	260 (573)	210 (463)	320 (706)	260 (573)
0 (0)	140 (309)	110 (243)	170 (375)	130 (287)	260 (573)	210 (463)	340 (750)	270 (595)
-0.5 (-19.7)	170 (375)	130 (287)	160 (353)	130 (287)	270 (595)	210 (463)	-	-
-1.0 (-39.4)	*230 (507)	*210 (463)	-	-	-	-	-	-

Note:

The lifting load with the asterisk (*) mark is limited by hydraulic lifting capacity rather than tipping. The lifting capacity shown in the above list is based on the ISO Standard No. 10567 and represents either 87% of hydraulic lifting capacity or 75% of tipping load, which is smaller.

● Dimensions



Rubber track specification
Unit: mm (in.)

	A <at boom swing>	B	C	D	E	F	G	H	I	J	K	L	M	N	O	P	Q	R	S	T	U	V	W	Y
SV08-1C	1210 (47.6)	2600	2730	2830	1220	820	210	160	1590	1160	1460	2730	1940	850	180	350	140-220	230-310	2200	550-660	680-840	680-840	725	130
ROPS bar	<985 (38.8)>	(102.4)	(107.5)	(111.4)	(48.0)	(32.3)	(8.3)	(6.3)	(62.6)	(45.7)	(57.5)	(107.5)	(76.4)	(33.5)	(7.1)	(13.8)	(5.5-8.7)	(9.1-12.2)	(86.6)	(21.7-25.6)	(26.8-33.1)	(26.8-33.1)	(28.5)	(5.1)

● Specifications

MODEL					SV08-1C			
TYPE					ROPS bar Sliding variable undercarriage			
WEIGHT	Operating weight	Rubber track	kg (lbs.)	1035 (2282)				
		Steel track	kg (lbs.)	-				
ENGINE	Type	Vertical 2-cylinder water-cooled diesel engine						
	Model	402J-05 IG84555R						
	Rated output, gross	kW (HP) / rpm		7.7 (10.3) / 2400				
BUCKET	Capacity, standard	cu.m (cu.ft)		0.022 (0.777)				
	Width, standard	mm (in.)		350 (13.8)				
	Max. digging force	Bucket	kN (lbs.)	10.5 (2360)				
		Arm	kN (lbs.)	6.2 (1390)				
	Max. digging depth <at the blade down>	mm (in.)		1460 (57.5) <1590 (62.6)>				
	Max. vertical wall digging depth	mm (in.)		1160 (45.7)				
PERFORMANCE	Max. cutting height	mm (in.)		2730 (107.5)				
	Max. dumping height	mm (in.)		1940 (76.4)				
	Max. digging radius of the ground	mm (in.)		2730 (107.5)				
	Front min. swing radius <at swinging the boom>	mm (in.)		1210 (47.6) <985 (38.8)>				
	Boom swing angle: left / right	degrees		45 / 85				
SPEED	Travel speed: high / low	Rubber track	km/h (mph)	1.8 (1.12) / -				
		Steel track	km/h (mph)	- / -				
	Swing speed	rpm		8.0				
GROUND PRESSURE	With standard track	Rubber track	kPa (PSI)	28.8 (4.18)				
		Steel track	kPa (PSI)	-				
TANK CAPACITY	Fuel tank	L (gal)		10.0 (2.64)				
	Hydraulic oil tank	L (gal)		6.6 (1.74)				
HYDRAULIC SYSTEM	Pump displacement	L/min (gpm)		9.8 (2.59)×2 <Gear pump>				
	Relief set pressure	MPa (PSI)		18.1 (2625)×2				
	Max. P.T.O. output	L/min (gpm)		5.2 (19.6)				

All data are subject to change without notice. Note that the standard equipment may vary. Consult your YANMAR dealer for confirmation.

YANMAR COMPACT EQUIPMENT



yanmar.com