

VOLVO EXCAVATORS

EC250D, EC300D

24.5-33.4 t 204-228 hp



A PASSION FOR PERFORMANCE.

At Volvo Construction Equipment, we're not just coming along for the ride. Developing products and services that raise productivity – we are confident we can lower costs and increase profits for industry experts. Part of the Volvo Group, we are passionate about innovative solutions to help you work smarter – not harder.

Helping you to do more

Doing more with less is a trademark of Volvo Construction Equipment. High productivity has long been married to low energy consumption, ease of use and durability. When it comes to lowering life-cycle costs, Volvo is in a class of its own.

Designed to fit your needs

There is a lot riding on creating solutions that are suited to the particular needs of different industry applications. Innovation often involves high technology – but it doesn't always have to. Some of our best ideas have been simple, based on a clear and deep understanding of our customers' working lives.



You learn a lot in 180 years

Over the years, Volvo has advanced solutions that have revolutionized the use of construction equipment. No other name speaks Safety louder than Volvo. Protecting operators, those around them and minimizing our environmental impact are traditional values that continue to shape our product design philosophy.

We're on your side

We back the Volvo brand with the best people. Volvo is truly a global enterprise, one that is on standby to support customers quickly and efficiently – wherever they are.

We have a passion for performance.



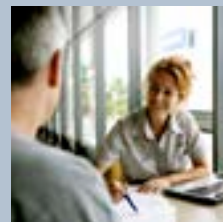
Volvo Trucks



Renault Trucks



Mack Trucks



UD Trucks

Volvo Buses

Volvo Construction Equipment

Volvo Penta

Volvo Aero

Volvo Financial Services

THE PLACE TO DO MORE.



When you are working comfortably, long work shifts go by quickly. You see everything clearly. Everything seems easier and you get more accomplished. That is the goal every day. Do it with Volvo.



Volvo care cab

All-day cab comfort is yours with Volvo. Expect an excellent operator environment and take command in all-around quality and ergonomic comfort. A comfortable seat, ideally-placed controls, excellent visibility and plenty of cab room. It all adds up to greater productivity, day after day.



Color I-ECU monitor

Operators always know exactly where their machine stands from a diagnostic point of view with the color I-ECU monitor. It's clear and easy to read, in all light conditions, for visual status checks. Its position from left to right is adjustable. A service mode allows engineers to perform quick diagnostic checks, helping to increase uptime and productivity. The monitor also permits rear view camera images to be displayed.

Console & switches

Everything you need is all in reach and view in the Volvo cab. The consoles and switches are conveniently located right where you want them, with your ergonomic comfort in mind. The consoles and switches are also built with quality for durability and long life.



Noise reduction

Excellent noise insulation and vibration dampening reduces fatigue and ensures high operator productivity all day long.

Viscous silicon rubber

The Volvo Care Cab is mounted on viscous, silicon rubber mounts. This system absorbs shocks, providing excellent comfort and greatly reducing whole body vibration. Also produces less noise, resulting in less fatigue and more comfort that leads to more all-day productivity.

ROPS

The cab features Roll Over Protective Structure (ROPS) safety certification. Provides more operator safety and peace-of-mind when operating in tough environments or in the event of the machine rolling over.

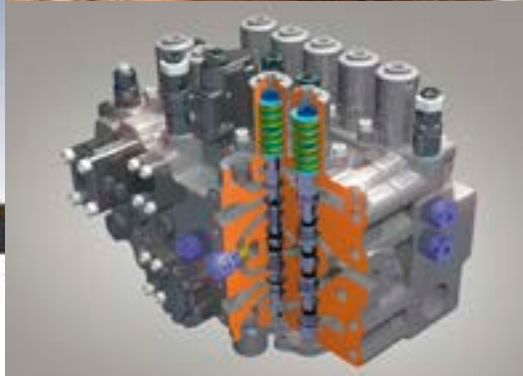
POWERED TO PERFORM.

Powerful engine

Volvo's powerful engine features increased power and torque for enhanced digging force and faster cycle times. Power has been increased by 10% in the EC250D and 11% in the EC300D. Torque is increased by 16% in the EC250D and 18% in the EC300D.

Increased performance

Perform at a higher level with increased power and speed for faster cycle times and greater productivity.



Boom float

The boom float lowers the boom simply by using gravity. As a result more flow is available to the arm circuit which ensures faster cycle times and enables grading and finishing operations to be carried out easily.

Advanced hydraulic system

Enjoy increased total performance from Volvo's smart hydraulic system. Now featuring bucket regeneration, boom priority and reduced internal losses in the hydraulic circuit for increased efficiency and productivity, as well as lower fuel consumption.



Superior performance has been built in to Volvo's EC250D and EC300D. An enhanced hydraulic system and well matched components guarantee you increased digging power. Trust Volvo to give you more.

THE RIGHT SELECTION, EVERY TIME.



Whether you and your operators think about the technological advancements that drive your Volvo Excavator or you simply want to climb in and get to it, rest assured that this machine delivers on all fronts. Earth moving brute force, backed by intelligent work modes, computerization, tracking and innovation that leads.



Selection work mode



Five working modes allow the operator to select the most appropriate mode for the application at hand. Assures the right amount of performance, along with an efficient use of fuel to suit the task.

I (Idle) stages 1 and 2 (2 being the lowest) – reduces rpm during inactive periods. Can be deselected at the press of a switch.

F (Fine) stages 1, 2 and 3 – increased hydraulic pressure via continuous Power Boost for lifting.

G (General) stages 1, 2 and 3 (1 being the highest) – G1 = good productivity and fuel consumption.

H (Heavy) – high productivity for intensive bulk earthmoving (more fuel efficient than P).

P (Power- Max) – provides additional 100rpm for absolute maximum performance.



Attachment management system

Permits storage of up to 18 different attachment presets. Enables hydraulic flow (standard) and pressure (optional) adjustments according to requirements. Operator can choose hydraulic settings that are 1-way, 2-way, push button, toggle or proportional. Allows operators to quickly change attachments without need for manual setup. This saves downtime and increases productivity. The system can be password protected to prevent possible misuse by operators or rental users with insufficient knowledge of technique.

ULTIMATE EFFICIENCY.

Fuel efficient engine

Volvo's efficient D8H Tier 4 Interim/Stage IIIB diesel engine consumes less fuel for ultimate efficiency. Cooled external Exhaust Gas Recirculation (EGR) reduces oxygen concentration in the combustion chamber and decreases the combustion temperature for lower emissions.



Diesel Particulate Filter (DPF)

The active-type DPF traps the particulate matter. The filter temporarily holds the exhaust fumes and then cleans itself by oxidizing the material in a process called regeneration. The system lowers emissions without reducing performance.



Smart DPF Regeneration

Refined computer programming alerts operators when regeneration needs to occur. Volvo's unique, operator controlled, system does not interrupt operation, performance or productivity – reducing machine downtime. Regeneration can be postponed.

Proportional controlled viscous-clutch

Optimized fan speed control from the new proportional controlled viscous-clutch for reduced fuel consumption.





Volvo prides itself on producing fuel efficient machines and the D-Series crawler excavators are a perfect example of this. Featuring Volvo's unique ECO mode, which contributes to up to 5% of the machine's total increased fuel efficiency, and smart electro-hydraulic control, these machines deliver reduced fuel consumption and cycle times as well as increased digging performance.

QUICK ACCESS UPTIME.

Volvo provides your access to more uptime. Open up the easy-to-reach compartments and quickly perform any necessary checks, replacements or services. Then get back to work. Having to do less service each day means less downtime.



Controlled cooling & Optional Reversible cooling fan

Thermostatically-controlled cooling regulates fan speed to actual cooling need, reducing fuel consumption and noise. Optional Reversible cooling fan helps prevent clogging of radiators, which can lead to overheating. Particularly helpful when operating in dusty environments. Helps extend component life, while minimizing the need for frequent manual cleaning. Can be operated through the in-cab monitor. Features three operating modes.



Grouped filters

A wide range of filter types are grouped together and accessible from ground level. This level of access makes daily checks and change outs quicker and easier, leading to more productivity. Easier access during service is also safer, with less awkward reaching and climbing around the machine.



Access

Large opening service compartment doors provide faster, safer service access. Service points are grouped and as close to ground level as possible. This helps avoid climbing to heights or working from the superstructure. Reducing service time helps to increase uptime.

360 DEGREES OF ACTION.

Working Modes

Five working modes to select the right mode and efficiency for the application at hand.

Attachment Management

Store up to 18 different password-protected attachment presets.



Productivity

From mass excavation and loading to piping and construction, you have the power and speed to do it all.

Boom Float

Lowers using only gravity, for more hydraulic flow availability and faster dig speed.

Tractive force

Travel on inclines or difficult terrain with excellent speed and tractive force.



Durability

Built to outlast. Built for your work, through and through.





Care cab

The roomy Volvo cab has it all: clear visibility, ergonomic comfort and perfectly-placed controls.

ROPS Safety

More operator safety and peace-of-mind when operating.



Technology

Designed with intelligence to help you do a variety of tasks, from heavy to fine, with a wide range of tools.

Volvo Power

Dependable power with high torque at low RPM, along with low fuel consumption, emissions and noise.



Serviceability

Fast, easy service from grouped, ground-level access.

Fuel efficiency

Superior fuel efficiency from Volvo's D8H Tier 4 Interim/Stage IIIB engine and unique ECO mode – which contributes to up to 5% of the machine's total increased fuel efficiency.

TOP PERFORMANCE DESERVES SUPPORT.

The day you receive your new Volvo Excavator is just the start of your working relationship with Volvo. From service and maintenance to our CareTrack telematics system – Volvo has a comprehensive and sophisticated aftermarket portfolio to continuously add value to your business.

Volvo designed and built your machines, so no-one knows how to keep them working in top condition more than us. When it comes to your machine, our Volvo trained technicians are the experts.

Our technicians work with industry leading diagnostic tools and techniques, using only Genuine Volvo Parts to deliver the highest levels of quality and service. Talk to your Volvo dealer about how genuine Volvo services can best provide the service and maintenance plan that is the right fit for you and your business.



State-of-the-art machines require state-of-the-art support and your Volvo dealer can provide a catalogue of services designed to get the most out of your machine, helping you maximise uptime, productivity and residual value. Your Volvo dealer can provide a number of sophisticated support offers, including:

Service plans ranging from routine wear inspections, through to comprehensive maintenance and repair agreements.

Analysis and diagnostics to help you understand how your machine is running, highlight potential maintenance issues and identify where performance can be improved.

Eco Operator training courses can help your operators work towards a safer, more productive and fuel efficient performance.



CareTrack*

Each Volvo Excavator comes standard equipped with CareTrack, the Volvo telematics system. CareTrack provides information for better planning and smarter working; including fuel consumption reports, location reports and service reminders. Save fuel. Reduce costs. Maximise profitability. You can with CareTrack.

* In markets where CareTrack is available

VOLVO EC250D, EC300D IN DETAIL.

Engine

The latest generation, Volvo engine Tier 4i (Stage IIIB) emissions compliant diesel engine fully meets the demands of the latest, emissions regulations. Featuring Volvo Advanced Combustion Technology (V-ACT), it is designed to deliver superior performance and fuel efficiency. The engine uses precise, highpressure fuel injectors, turbo charger and air-to-air intercooler, and electronic engine controls to optimize machine performance.

Air Filter: 3-stage and precleaner.

Automatic Idling System: Reduces engine speed to idle when the levers and pedals are not activated resulting in less fuel consumption and low cab noise levels.

EC250D

Engine Tier 4i (Stage IIIB)	Volvo	D8H
Max power at	r/s / r/min	30 / 1800
Net, ISO 9249/SAE J1349	kW / hp	151 / 202
Gross, ISO 14396/SAE J1995	kW / hp	152 / 204
Max torque at	Nm / r/min	1012 / 1350
No. of cylinders		6
Displacement	l	7,8
Bore	mm	110
Stroke	mm	138

EC300D

Engine Tier 4i (Stage IIIB)	Volvo	D8H
Max power at	r/s / r/min	30 / 1800
Net, ISO 9249/SAE J1349	kW / hp	169 / 227
Gross, ISO 14396/SAE J1995	kW / hp	170 / 228
Max torque at	Nm / r/min	1139 / 1350
No. of cylinders		6
Displacement	l	7,8
Bore	mm	110
Stroke	mm	138

Electrical system

High-capacity electrical system that is well protected. Waterproof double-lock harness plugs are used to secure corrosion-free connections. The main relays and solenoid valves are shielded to prevent damage. The master switch is standard.

Contronics provides advanced monitoring of machine functions and important diagnostic information on the I-ECU.

		EC250D	EC300D
Voltage	V	24	24
Batteries	V	2 x 12	2 x 12
Battery capacity	Ah	200	200
Alternator	V / Ah	28 / 80	28 / 80

Service refill capacities

Fuel tank	l	470	470
Hydraulic system, total	l	400	400
Hydraulic tank	l	195	195
Engine oil	l	32	32
Engine coolant	l	41	41
Swing reduction unit	l	5,9	6
Travel reduction unit	l	2 x 5.0	2 x 6.8

Swing system

The swing system uses an axial piston motors, driving a planetary gearbox for maximum torque. An automatic holding brake and anti-rebound valve are standard.

Max. slew speed	r/min	11,9	10,7
Max. slew torque	kNm	91,6	110,6

Drive

Each track is powered by an automatic two-speed shift travel motor. The track brakes are multi-disc, spring-applied and hydraulic released. The travel motor, brake and planetary gears are well protected within the track frame.

Max. drawbar pull	kN	217	248
Max. travel speed	km/h	3,5/5,5	3,4/5,4
Gradeability	°	35	35

Undercarriage

The undercarriage has a robust X-shaped frame. Greased and sealed track chains are standard.

Track pads		2 x 51	2 x 50
Link pitch	mm	190	203,2
Shoe width, triple grouser	mm	600 / 700 / 800 / 900	
Shoe width, triple grouser (HD)		-	600
Shoe width, double grouser	mm	700	700
Bottom rollers		2 x 9	2 x 9
Top rollers		2 x 2	2 x 2

Hydraulic system

The hydraulic system, also known as the "Automatic Sensing Work Mode," is designed for high-productivity, high-digging capacity, high-maneuvering precision and excellent fuel economy. The summation system, boom, arm and swing priority along with boom, arm and bucket regeneration provides optimum performance.

The following important functions are included in the system:

Summation system: Combines the flow of both hydraulic pumps to ensure quick cycle times and high productivity.

Boom priority: Gives priority to the boom operation for faster raising when loading or performing deep excavations.

Arm priority: Gives priority to the arm operation for faster cycle times in leveling and for increased bucket filling when digging.

Swing priority: Gives priority to swing functions for faster simultaneous operations.

Regeneration system: Prevents cavitation and provides flow to other movements during simultaneous operations for maximum productivity.

Power boost: All digging and lifting forces are increased.

Holding valves: Boom and arm holding valves prevent the digging equipment from creeping.

		EC250D	EC300D
Main pump, Type 2 x variable displacement axial piston pumps			
Maximum flow	l/min	2 x 242	2 x 263
Pilot pump, Type Gear pump			
Maximum flow	l/min	18	18

Hydraulic motors

		EC250D	EC300D
Travel: Variable displacement axial piston motor with mechanical brake			
Slew: Fixed displacement axial piston motor with mechanical brake			
Relief valve setting			
Implement	MPa	33.3/36.3	33.3/36.3
Travel circuit	MPa	36,3	36,3
Slew circuit	MPa	27,9	27,9
Pilot circuit	MPa	3,9	3,9

Hydraulic cylinders

		EC250D	EC300D
Mono boom		2	2
Bore x Stroke	ø x mm	135 x 1345	140 x 1480
2 piece boom		1	1
Bore x Stroke	ø x mm	160 x 1230	170 x 1300
Arm		1	1
Bore x Stroke	ø x mm	140 x 1665	150 x 1745
Bucket		1	1
Bore x Stroke	ø x mm	130 x 1150	140 x 1140
Bucket for LR boom		1	1
Bore x Stroke	ø x mm	100 x 865	100 x 865
LR bucket		1	1
Bore x Stroke	ø x mm	100 x 865	100 x 865

Cab

The operator's cab has easy access via a wide door opening. The cab is supported on hydraulic dampening mounts to reduce shock and vibration levels. These along with sound absorbing lining provide low noise levels. The cab has excellent all-round visibility.

The front windshield can easily slide up into the ceiling, and the lower front glass can be removed and stored in the side door.

Integrated air-conditioning and heating system: The pressurized and filtered cab air is supplied by an automatically-controlled fan.

The air is distributed throughout the cab from 14 vents.

Ergonomic operator's seat: The adjustable seat and joystick console move independently to accommodate the operator. The seat has nine different adjustments plus a seat belt for the operator's comfort and safety.

Sound Level

		EC250D	EC300D
Sound level in cab according to ISO 6396			
LpA (standard)	dB(A)	70	70
LpA (tropical)	dB(A)	71	71
External sound level according to ISO 6395 and EU Noise Directive (2000/14/EC) and 474-1:2006 +A1:2009			
LwA (standard)	dB(A)	103	104
LwA (tropical)	dB(A)	104	104

SPECIFICATIONS.

VOLVO BUCKETS

Loose soil, re-handling material or abrasive rock; excavators and attachments work hand in hand to move almost any type of material. Volvo's experience together with excavator and attachment technology ensures a reduction in cycle times, increased productivity and lower fuel costs through higher breakout forces and quicker bucket fill times.

The efficiency of any type of excavation depends upon the selection of the right bucket therefore a broad bucket offering available from the same retailer as your excavator means the machine can be easily adjusted to operate in any conditions.

As the technology and experience in design for both Volvo's attachments and excavators stems from the same origin, availing from another service like Volvo's aftermarket support ensures the machine is running harder for longer.



(GP) General purpose bucket

Designed for digging and re-handling soft to medium materials e.g. soils with low wear characteristics. The GP bucket has anti-abrasive side cutters, a hardened lip plate and self-sharpening bucket teeth.

(HD) Heavy-duty bucket

Intended for digging in dense materials such as hard packed clay and gravel. The HD bucket has heavier overall fabrication with a thicker side cutting edge and hardened plating on all critical ground-engaging areas.

(RK) Rock bucket

Together with harder and thicker plating on all critical leading edges the rock bucket provides digging performance in soils with a high degree of rock content and well blasted rock. On the EC700B the option of a D-edge is available, for ease of penetration when rock handling.

(ES) Extreme service bucket

Available for the EC700 and provides additional wear protection for use in high impact or wearing applications. Inner protection and D edge as standard.

(FD) Fixed ditching bucket

A wide face, round profile and drain holes make the FD bucket ideal for ditch cleaning or removal of other soft material. An inner stiffener and optional bolt-on cutting edge bolster performance.

VOLVO TOOTH SYSTEM



Self-Sharpening Tooth System Cuts Through the Toughest Jobs

Volvo perfects the excavator bucket's point of attack with a robust tooth system that delivers performance and long life. Cast and tempered from a high-strength alloy, Volvo teeth resist stress and deliver optimum penetration in hard or abrasive material. An innovative design lessens internal wear between tooth and adapter — and makes it easy to change teeth.

LOCKING DEVICE

Patented vertical locking device. The steel pin with flexible lock retainer tightly secures the tooth to the adapter. Smart design transfers working stresses away from the locking device, saving wear on the steel pin and extending pin life. Self-sharpening Volvo teeth are designed for a small penetration area, which reduces stress and wear at the point of contact.

GPE

Self-sharpening general-purpose tooth with good penetration and long service life.

AMRE

Self-sharpening tooth resists wear in rock and other abrasive materials.

PPE

Pick-point excavator tooth delivers maximum penetration in hard clay or frozen ground.

SNE

Spade nose tooth is designed for finishing work such as leveling, grading, cleaning & backfilling.

TPE

Twin pick point with sharp, dual-point profile is ideal for compact or frozen ground.

Wear Cap & BL Adapter

The wear cap protects the adapter from unnecessary wear.

BL: 1 1/2 bottom leg adapter for welding to both sides of the cutting edge

MAXIMUM PERMITTED BUCKETS

For direct fit buckets		EC250DL									EC250DNL						
Boom	m	6,0 GP			6,0 HD		5,95 2-piece			6,0 GP			6,0 HD		5,95 2-piece		
Arm	m	H2,5	G2,97	G3,6	H2,5	H2,97	H2,5	G2,97	G3,6	H2,5	G2,97	G3,6	H2,5	H2,97	H2,5	G2,97	G3,6
Max, bucket		liter	liter	liter	liter	liter	liter	liter	liter	liter	liter	liter	liter	liter	liter	liter	liter
GP bucket 1,5 t/m ³		1 850	1 650	1 450	1 825	1 700	1 800	1 650	1 450	1 675	1 550	1 425	1 650	1 550	1 625	1 550	1 400
GP bucket 1,8 t/m ³		1 625	1 450	1 300	1 600	1 500	1 600	1 450	1 300	1 475	1 375	1 275	1 450	1 375	1 450	1 375	1 225
HD bucket 1,8 t/m ³		1 550	1 375	1 225	1 525	1 425	1 500	1 375	1 225	1 400	1 300	1 200	1 375	1 300	1 375	1 300	1 175
HD bucket 2,0 t/m ³		1 450	1 300	1 150	1 425	1 325	1 400	1 300	1 150	1 300	1 225	1 125	1 300	1 200	1 275	1 200	1 100

For S quick fit buckets		EC250DL									EC250DNL						
Boom	m	6,0 GP			6,0 HD		5,95 2-piece			6,0 GP			6,0 HD		5,95 2-piece		
Arm	m	H2,5	G2,97	G3,6	H2,5	H2,97	H2,5	G2,97	G3,6	H2,5	G2,97	G3,6	H2,5	H2,97	H2,5	G2,97	G3,6
Max, bucket		liter	liter	liter	liter	liter	liter	liter	liter	liter	liter	liter	liter	liter	liter	liter	liter
GP bucket 1,5 t/m ³		1 700	1 525	1 325	1 700	1 575	1 675	1 525	1 325	1 550	1 450	1 325	1 525	1 425	1 500	1 425	1 275
GP bucket 1,8 t/m ³		1 500	1 350	1 175	1 500	1 400	1 475	1 350	1 175	1 375	1 275	1 175	1 350	1 250	1 325	1 250	1 125
HD bucket 1,8 t/m ³		1 425	1 275	1 125	1 425	1 325	1 400	1 275	1 125	1 300	1 200	1 100	1 275	1 200	1 275	1 200	1 075
HD bucket 2,0 t/m ³		1 325	1 200	1 050	1 325	1 225	1 300	1 200	1 050	1 200	1 125	1 025	1 200	1 100	1 175	1 100	1 000

For U quick fit buckets		EC250DL									EC250DNL						
Boom	m	6,0 GP			6,0 HD		5,95 2-piece			6,0 GP			6,0 HD		5,95 2-piece		
Arm	m	H2,5	G2,97	G3,6	H2,5	H2,97	H2,5	G2,97	G3,6	H2,5	G2,97	G3,6	H2,5	H2,97	H2,5	G2,97	G3,6
Max, bucket		liter	liter	liter	liter	liter	liter	liter	liter	liter	liter	liter	liter	liter	liter	liter	liter
GP bucket 1,5 t/m ³		1 600	1 450	1 250	1 600	1 475	1 600	1 450	1 250	1 325	1 200	1 075	1 300	1 200	1 275	1 200	1 050
GP bucket 1,8 t/m ³		1 425	1 275	1 100	1 425	1 300	1 400	1 275	1 100	1 175	1 075	950	1 150	1 050	1 125	1 050	925
HD bucket 1,8 t/m ³		1 350	1 200	1 050	1 350	1 250	1 325	1 200	1 050	1 100	1 025	900	1 075	1 000	1 075	1 000	875
HD bucket 2,0 t/m ³		1 250	1 125	975	1 250	1 150	1 250	1 125	975	1 025	950	850	1 000	925	1 000	925	800

For direct fit buckets		EC300DL									EC300DNL						
Boom	m	6,2 GP			6,2 HD		6,2 2-piece			6,2 GP			6,2 HD		6,2 2-piece		
Arm	m	H2,55	G3,05	G3,7	H2,55	H3,05	H2,55	G3,05	G3,7	H2,55	G3,05	G3,7	H2,55	H3,05	H2,55	G3,05	G3,7
Max, bucket		liter	liter	liter	liter	liter	liter	liter	liter	liter	liter	liter	liter	liter	liter	liter	liter
GP bucket 1,5 t/m ³		1 950	1 775	1 575	1 925	1 700	1 900	1 725	1 550	1 725	1 575	1 425	1 725	1 525	1 700	1 550	1 375
GP bucket 1,8 t/m ³		1 725	1 575	1 400	1 700	1 525	1 675	1 525	1 375	1 525	1 400	1 250	1 525	1 350	1 500	1 375	1 225
HD bucket 1,8 t/m ³		1 625	1 500	1 325	1 625	1 425	1 600	1 450	1 300	1 450	1 325	1 175	1 450	1 275	1 425	1 300	1 150
HD bucket 2,0 t/m ³		1 525	1 400	1 250	1 500	1 350	1 500	1 350	1 200	1 350	1 250	1 100	1 350	1 200	1 325	1 200	1 075

For S quick fit buckets		EC300DL									EC300DNL						
Boom	m	6,2 GP			6,2 HD		6,2 2-piece			6,2 GP			6,2 HD		6,2 2-piece		
Arm	m	H2,55	G3,05	G3,7	H2,55	H3,05	H2,55	G3,05	G3,7	H2,55	G3,05	G3,7	H2,55	H3,05	H2,55	G3,05	G3,7
Max, bucket		liter	liter	liter	liter	liter	liter	liter	liter	liter	liter	liter	liter	liter	liter	liter	liter
GP bucket 1,5 t/m ³		1 825	1 650	1 475	1 800	1 600	1 775	1 625	1 425	1 625	1 475	1 300	1 625	1 400	1 575	1 425	1 250
GP bucket 1,8 t/m ³		1 625	1 475	1 300	1 600	1 400	1 575	1 425	1 250	1 425	1 300	1 150	1 425	1 250	1 400	1 250	1 100
HD bucket 1,8 t/m ³		1 525	1 400	1 225	1 525	1 325	1 500	1 350	1 200	1 350	1 225	1 075	1 350	1 175	1 325	1 200	1 050
HD bucket 2,0 t/m ³		1 425	1 300	1 150	1 400	1 250	1 400	1 250	1 100	1 250	1 150	1 000	1 250	1 100	1 225	1 100	975

For U quick fit buckets		EC300DL									EC300DNL						
Boom	m	6,2 GP			6,2 HD		6,2 2-piece			6,2 GP			6,2 HD		6,2 2-piece		
Arm	m	H2,55	G3,05	G3,7	H2,55	H3,05	H2,55	G3,05	G3,7	H2,55	G3,05	G3,7	H2,55	H3,05	H2,55	G3,05	G3,7
Max, bucket		liter	liter	liter	liter	liter	liter	liter	liter	liter	liter	liter	liter	liter	liter	liter	liter
GP bucket 1,5 t/m ³		1 725	1 575	1 375	1 725	1 500	1 700	1 525	1 325	1 525	1 375	1 200	1 525	1 300	1 475	1 325	1 150
GP bucket 1,8 t/m ³		1 550	1 400	1 225	1 525	1 325	1 500	1 350	1 175	1 350	1 225	1 075	1 350	1 150	1 300	1 175	1 025
HD bucket 1,8 t/m ³		1 450	1 325	1 150	1 450	1 250	1 425	1 275	1 125	1 275	1 150	1 000	1 275	1 100	1 250	1 125	975
HD bucket 2,0 t/m ³		1 350	1 225	1 075	1 350	1 175	1 325	1 200	1 050	1 200	1 075	950	1 200	1 025	1 150	1 050	900

Note: 1, Bucket size based on ISO 7451, heaped material with a 1:1 angle of repose,
2, "Max, permitted sizes" are for reference only and are not necessarily available from the factory,
3, Bucket widths are less than bucket's tip radius,

SPECIFICATIONS.

GROUND PRESSURE

EC250D										
Description	Shoe width	Operating weight	Ground pressure	Overall width	Operating weight	Ground pressure	Overall width	Operating weight	Ground pressure	Overall width
	mm	kg	kPa	mm	kg	kPa	mm	kg	kPa	mm
Triple grouser	600	25 485	51,4	3 190	25 335	51,1	3 190	25 885	52,2	3 190
	700	25 779	44,5	3 290	25 629	44,3	3 290	26 179	45,2	3 290
	800	26 074	39,4	3 390	25 924	39,2	3 390	26 474	40,0	3 390
	900	26 369	35,4	3 490	26 219	35,2	3 490	26 769	36,0	3 490
Double grouser	700	26 055	44,9	3 290	25 905	44,7	3 290	26 455	45,6	3 290
		EC250D with L undercarriage, 6,0m HD boom, 2,97m HD arm, 958kg bucket, 4950kg counterweight			EC250D with L undercarriage, 6,0m boom, 2,97m arm, 958kg bucket, 4950kg counterweight			EC250D with L undercarriage, 5,95m 2-piece boom, 2,97m arm, 958kg bucket, 4950kg counterweight		
EC250D										
Triple grouser	600	24 785	50,0	3 190	24 635	49,7	3 190	25 185	50,8	3 190
	700	25 079	43,3	3 290	24 929	43,1	3 290	25 479	44,0	3 290
	800	25 374	38,4	3 390	25 224	38,1	3 390	25 774	39,0	3 390
	900	25 669	34,5	3 490	25 519	34,3	3 490	26 069	35,0	3 490
Double grouser	700	25 355	43,7	3 290	25 205	43,5	3 290	25 755	44,4	3 290
		EC250D with L undercarriage, 6,0m HD boom, 2,97m HD arm, 958kg bucket, 4250kg counterweight			EC250D with L undercarriage, 6,0m boom, 2,97m arm, 958kg bucket, 4250kg counterweight			EC250D with L undercarriage, 5,95m 2-piece boom, 2,97m arm, 958kg bucket, 4250kg counterweight		
EC250D										
Triple grouser	600	25 400	51,2	3 190	25 250	50,9	3 190	25 800	52,0	3 190
	700	25 694	44,4	3 290	25 544	44,1	3 290	26 094	45,1	3 290
	800	25 989	39,3	3 390	25 839	39,1	3 390	26 389	39,9	3 390
	900	26 284	35,3	3 490	26 134	35,1	3 490	26 684	35,9	3 490
		EC250D with NL undercarriage, 6,0m HD boom, 2,97m HD arm, 958kg bucket, 4950kg counterweight			EC250D with NL undercarriage, 6,0m boom, 2,97m arm, 958kg bucket, 4950kg counterweight			EC250D with NL undercarriage, 5,95m 2-piece boom, 2,97m arm, 958kg bucket, 4950kg counterweight		
EC250D										
Triple grouser	600	24 700	49,8	3 190	24 550	49,5	3 190	25 100	50,6	3 190
	700	24 994	43,2	3 290	24 844	42,9	3 290	25 394	43,9	3 290
	800	25 289	38,2	3 390	25 139	38,0	3 390	25 689	38,8	3 390
	900	25 584	34,4	3 490	25 434	34,2	3 490	25 984	34,9	3 490
		EC250D with NL undercarriage, 6,0m HD boom, 2,97m HD arm, 958kg bucket, 4250kg counterweight			EC250D with NL undercarriage, 6,0m boom, 2,97m arm, 958kg bucket, 4250kg counterweight			EC250D with NL undercarriage, 5,95m 2-piece boom, 2,97m arm, 958kg bucket, 4250kg counterweight		
EC250D										
Triple grouser	600	27 136	54,7	3 190						
	800	27 725	41,9	3 290						
	900	28 020	37,6	3 390						
		EC250D with LR undercarriage, 10,2m LR boom, 9,85m LR arm, 454kg bucket, 6200kg counterweight								

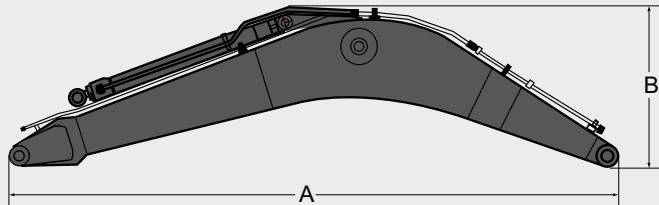
GROUND PRESSURE

EC300D											
Description	Shoe width	Operating weight	Ground pressure	Overall width	Operating weight	Ground pressure	Overall width	Operating weight	Ground pressure	Overall width	
	mm	kg	kPa	mm	kg	kPa	mm	kg	kPa	mm	
Triple grouser		600	30 102	58,4	3 190	29 802	57,5	3 190	30 752	59,3	3 190
	HD	600	30 302	58,4	3 190	30 002	57,9	3 190	30 952	59,7	3 190
		700	30 862	51,0	3 290	30 562	50,5	3 290	31 512	52,1	3 290
		800	31 792	45,2	3 390	31 492	45,6	3 390	32 442	46,9	3 390
		900	33 092	40,6	3 490	32 792	42,2	3 490	33 742	43,4	3 490
Double grouser	700	33 806	51,1	3 290	33 506	55,4	3 290	34 456	56,9	3 290	
		EC300D with L undercarriage, 6,2m HD boom, 3,05m HD arm, 1166kg bucket, 5100kg counterweight			EC300D with L undercarriage, 6,2m boom, 3,05m arm, 1166kg bucket, 5100kg counterweight			EC300D with L undercarriage, 6,2m 2-piece boom, 3,05m arm, 1166kg bucket, 5100kg counterweight			
EC300D											
Triple grouser		600	30 502	58,8	3 190	30 202	58,3	3 190	31 162	60,1	3 190
	HD	600	30 702	59,2	3 190	30 402	58,7	3 190	31 362	60,5	3 190
		700	31 262	51,7	3 290	30 962	51,2	3 290	31 922	52,8	3 290
		800	32 192	46,6	3 390	31 892	46,1	3 390	32 852	47,5	3 390
		900	33 492	43,1	3 490	33 192	42,7	3 490	34 152	43,9	3 490
Double grouser	700	34 206	56,5	3 290	33 906	56,0	3 290	34 866	57,6	3 290	
		EC300D with L undercarriage, 6,2m HD boom, 3,05m HD arm, 1166kg bucket, 5500kg counterweight			EC300D with L undercarriage, 6,2m boom, 3,05m arm, 1166kg bucket, 5500kg counterweight			EC300D with L undercarriage, 6,2m 2-piece boom, 3,05m arm, 1166kg bucket, 5500kg counterweight			
EC300D											
Triple grouser		600	29 862	57,6	2 990	29 562	57,0	2 990	30 512	58,9	2 990
	HD	600	30 062	58,0	2 990	29 762	57,4	2 990	30 712	59,3	2 990
		700	30 622	50,6	3 090	30 322	50,1	3 090	31 272	51,7	3 090
		800	31 552	45,7	3 190	31 252	45,2	3 190	32 202	46,6	3 190
		900	32 852	42,3	3 290	32 552	41,9	3 290	33 502	43,1	3 290
		EC300D with NL undercarriage, 6,2m HD boom, 3,05m HD arm, 1166kg bucket, 5100kg counterweight			EC300D with NL undercarriage, 6,2m boom, 3,05m arm, 1166kg bucket, 5100kg counterweight			EC300D with NL undercarriage, 6,2m 2-piece boom, 3,05m arm, 1166kg bucket, 5100kg counterweight			
EC300D											
Triple grouser		600	30 262	58,4	2 990	29 962	57,8	2 990	30 912	59,6	2 990
	HD	600	30 462	58,8	2 990	30 162	58,2	2 990	31 112	60,0	2 990
		700	31 022	51,3	3 090	30 722	50,8	3 090	31 672	52,4	3 090
		800	31 952	46,2	3 190	31 652	45,8	3 190	32 602	47,2	3 190
		900	33 252	42,8	3 290	32 952	42,4	3 290	33 902	43,6	3 290
		EC300D with NL undercarriage, 6,2m HD boom, 3,05m HD arm, 1166kg bucket, 5500kg counterweight			EC300D with NL undercarriage, 6,2m boom, 3,05m arm, 1166kg bucket, 5500kg counterweight			EC300D with NL undercarriage, 6,2m 2-piece boom, 3,05m arm, 1166kg bucket, 5500kg counterweight			
EC300D											
Triple grouser		600	32 032	58,4	3 190						
	HD	600	32 232	51,0	3 290						
		800	32 962	45,2	3 390						
		900	33 332	40,6	3 490						
		EC300D with LR undercarriage, 10,2m LR boom, 7,9m LR arm, 473kg bucket, 6800kg counterweight									

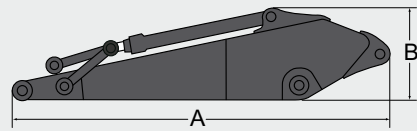
SPECIFICATIONS.

DIMENSIONS

Boom



Arm



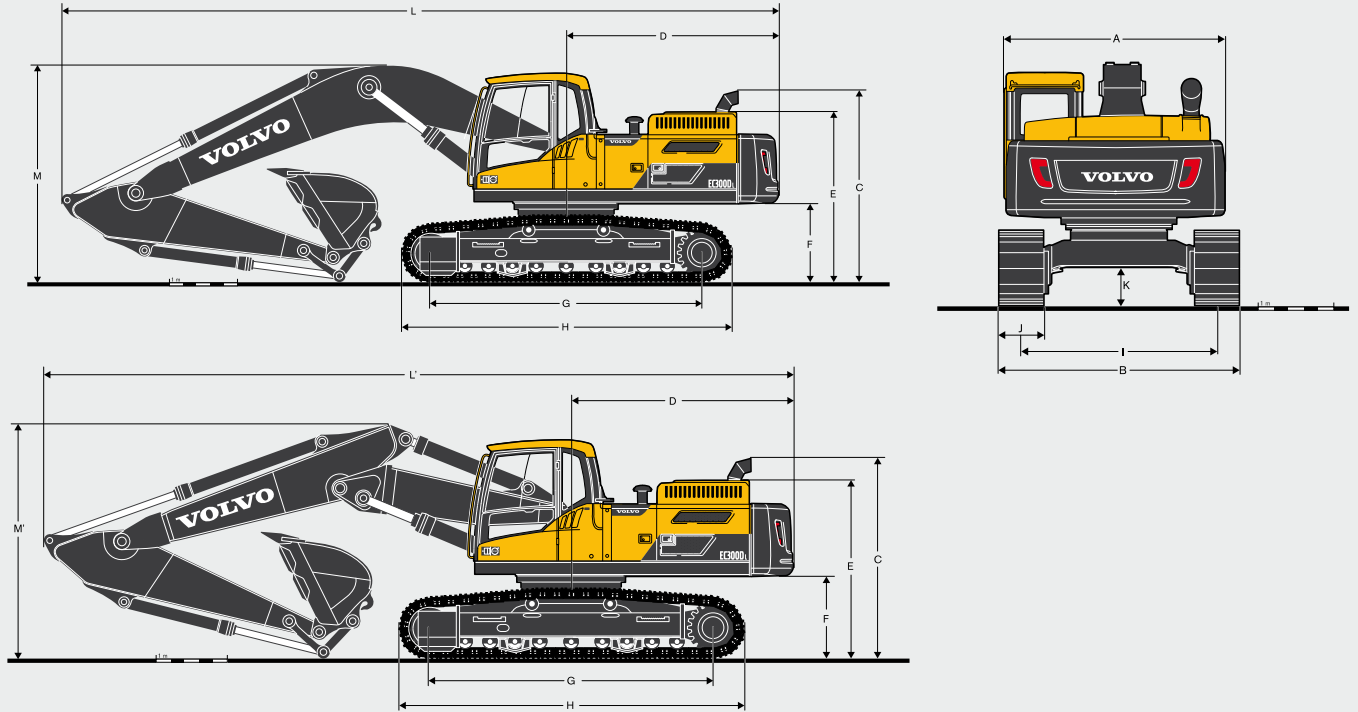
Description	Unit	EC250D				EC300D			
		mono	mono	2-piece	Long-Reach	mono	mono	2-piece	Long-Reach
Boom	m	6.0 GP	6.0 HD	5,95	10,2	6.2 GP	6.2 HD	6,2	10,2
Length	mm	6 210	6 210	6 160	10 410	6 430	6 430	6 430	10 430
Height	mm	1 630	1 630	1 100	1 525	1 680	1 680	1 590	1 620
Width	mm	740	740	740	740	770	770	770	770
Weight	kg	2 180	2 360	2 840	3 010	2 610	2 810	3 450	3 410

* Includes cylinder, piping and pin, excludes boom cylinder pin

Description	Unit	EC250D					EC300D				
		2.5 HD	2.97 GP	2.97 HD	3.6 GP	7.85 LR	2.55 HD	3.05 GP	3.05 HD	3.7 GP	7.9 LR
Arm	m										
Length	mm	3 590	4 060	4 060	4 730	9 000	3 710	4 150	4 150	4 800	9 050
Height	mm	1 000	1 000	1 000	1 000	900	1 010	1 010	1 010	1 050	1 050
Width	mm	500	500	500	500	480	545	545	545	545	450
Weight	kg	1 350	1 340	1 420	1 478	1 720	1 465	1 530	1 590	1 660	1 730

* Includes cylinder, linkage and pin

DIMENSIONS



Description	Unit	EC250DL			EC250DNL			EC250DLR
Boom	m	6.0 mono or 5.95 2-piece			6.0 mono or 5.95 2-piece			10,2
Arm	m	2,5	2,97	3,6	2,5	2,97	3,6	7,85
A. Overall width of upper structure	mm	2 890	2 890	2 890	2 890	2 890	2 890	2 890
B. Overall width	mm	3 190	3 190	3 190	2 990	2 990	2 990	3 190
C. Overall height of cab	mm	3 020	3 020	3 020	3 020	3 020	3 020	3 020
D. Tail slew radius	mm	3 070	3 070	3 070	3 070	3 070	3 070	3 150
E. Overall height of engine hood	mm	2 460	2 460	2 460	2 460	2 460	2 460	2 460
F. Counterweight clearance *	mm	1 080	1 080	1 080	1 080	1 080	1 080	1 080
G. Tumbler length	mm	3 850	3 850	3 850	3 850	3 850	3 850	3 850
H. Track length	mm	4 650	4 650	4 650	4 650	4 650	4 650	4 650
I. Track gauge	mm	2 590	2 590	2 590	2 390	2 390	2 390	2 590
J. Shoe width	mm	600	600	600	600	600	600	600
K. Min. ground clearance *	mm	470	470	470	470	470	470	470
L. Overall length	mm	10 340	10 260	10 330	10 340	10 260	10 330	14 555
L ¹ . Overall length	mm	10 290	10 260	10 260	10 290	10 260	10 260	-
M. Overall height of boom	mm	3 330	3 110	3 330	3 330	3 110	3 330	3 085
M ¹ . Overall height of boom	mm	3 270	3 190	3 410	3 270	3 190	3 410	-
Description	Unit	EC300DL			EC300DNL			EC300DLR
Boom	m	6.2 mono or 6.2 2-piece			6.2 mono or 6.2 2-piece			10,2
Arm	m	2,55	3,05	3,7	2,55	3,05	3,7	7,9
A. Overall width of upper structure	mm	2 890	2 890	2 890	2 890	2 890	2 890	2 890
B. Overall width	mm	3 190	3 190	3 190	2 990	2 990	2 990	3 190
C. Overall height of cab	mm	3 090	3 090	3 090	3 090	3 090	3 090	3 090
D. Tail slew radius	mm	3 120	3 120	3 120	3 120	3 120	3 120	3 200
E. Overall height of engine hood	mm	2 520	2 520	2 520	2 520	2 520	2 520	2 520
F. Counterweight clearance *	mm	1 135	1 135	1 135	1 135	1 135	1 135	1 135
G. Tumbler length	mm	4 015	4 015	4 015	4 015	4 015	4 015	4 015
H. Track length	mm	4 870	4 870	4 870	4 870	4 870	4 870	4 870
I. Track gauge	mm	2 590	2 590	2 590	2 390	2 390	2 390	2 590
J. Shoe width	mm	600	600	600	600	600	600	600
K. Min. ground clearance *	mm	480	480	480	480	480	480	480
L. Overall length	mm	10 640	10 530	10 570	10 640	10 530	10 570	14 640
L ¹ . Overall length	mm	10 635	10 570	10 570	10 635	10 570	10 570	-
M. Overall height of boom	mm	3 495	3 350	3 590	3 495	3 350	3 590	3 240
M ¹ . Overall height of boom	mm	3 360	3 300	3 530	3 360	3 300	3 530	-

* Without shoe grouser

¹ 2-piece boom

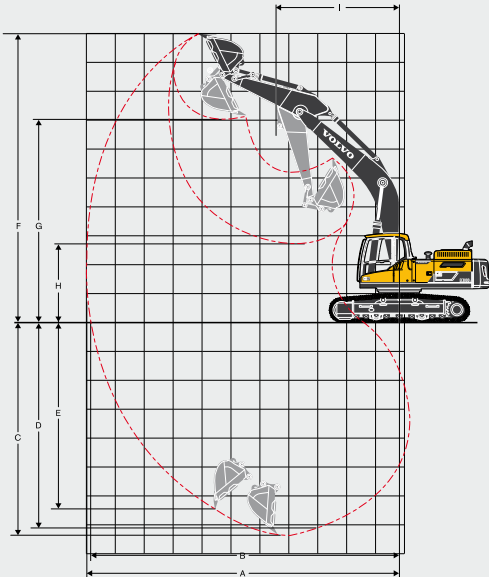
SPECIFICATIONS.

WORKING RANGES

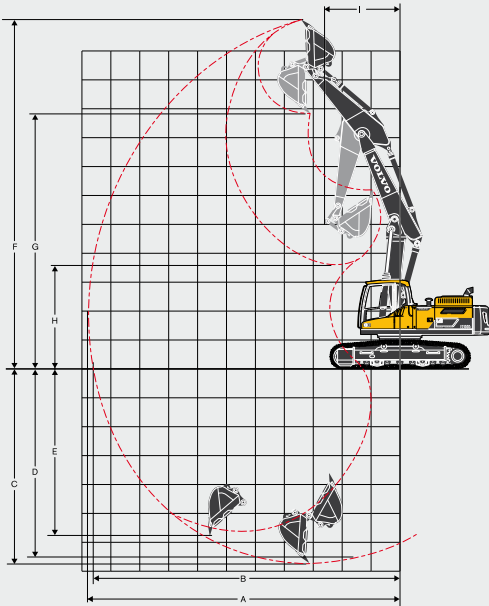
Description			Unit	EC250DL and EC250DNL					EC250DLR		
Boom			m	6,0			5,95 2-piece		10,2		
Arm			m	2,5	2,97	3,6	2,5	2,97	3,6	7,85	
A. Max. digging reach			mm	9 880	10 260	10 730	9 890	10 290	10 780	18 306	
B. Max. digging reach on ground			mm	9 690	10 080	10 560	9 710	10 110	10 610	18 207	
C. Max. digging depth			mm	6 500	6 980	7 600	6 040	6 480	7 050	14 348	
D. Max. digging depth (2,44 m level)			mm	6 280	6 740	7 380	5 930	6 380	6 950	14 234	
E. Max. vertical wall digging depth			mm	5 647	5 930	6 246	5 054	5 449	5 951	12 777	
F. Max. cutting height			mm	9 620	9 690	9 660	11 080	11 340	11 580	14 887	
G. Max. dumping height			mm	6 700	6 800	6 820	8 010	8 270	8 530	12 738	
H. Min. front swing radius			mm	3 910	3 890	3 890	2 788	2 554	2 720	5 721	
Digging forces with direct fit bucket											
Bucket radius			mm	1 537	1537	1 537	1 537	1 537	1 537	1 537	1 537
Breakout force - bucket	Normal	SAE J1179	kN	152	152	152	152	152	152	152	
	Power boost	SAE J1179	kN	166	166	166	166	166	166	166	
	Normal	ISO 6015	kN	171	171	171	171	171	171	171	
	Power boost	ISO 6015	kN	186	186	186	186	186	186	186	
Tearout force - dipper arm	Normal	SAE J1179	kN	133	115	103	133	115	103	133	
	Power boost	SAE J1179	kN	145	125	112	145	125	112	145	
	Normal	ISO 6015	kN	137	118	105	137	118	105	137	
	Power boost	ISO 6015	kN	149	129	114	149	129	114	149	
Rotation angle, bucket			°	178	178	178	178	178	178	178	

Description			Unit	EC300DL and EC300DNL					EC300DLR		
Boom			m	6,2			6,2 2-piece		10,2		
Arm			m	2,55	3,05	3,7	2,55	3,05	3,7	7,9	
A. Max. digging reach			mm	10 188	10 716	11 322	10 253	10 783	11 398	18 593	
B. Max. digging reach on ground			mm	9 981	10 520	11 137	10 048	10 588	11 214	18 481	
C. Max. digging depth			mm	6 847	7 347	7 997	6 213	6 738	7 379	14 754	
D. Max. digging depth (2,44 m level)			mm	6 606	7 160	7 837	6 109	6 642	7 290	14 650	
E. Max. vertical wall digging depth			mm	9 662	10 079	10 363	11 595	12 100	12 601	14 938	
F. Max. cutting height			mm	6 671	7 037	7 324	8 355	8 846	9 349	12 604	
G. Max. dumping height			mm	5 726	6 480	7 094	5 213	5 801	6 426	13 493	
H. Min. front swing radius			mm	4 220	4 180	4 240	2 754	2 579	2 774	6 190	
Digging forces with direct fit bucket											
Bucket radius			mm	1 600	1 600	1 600	1 600	1 600	1 600	1 600	16 00
Breakout force - bucket	Normal	SAE J1179	kN	168	168	168	168	168	168	168	
	Power boost	SAE J1179	kN	182	182	182	182	182	182	182	
	Normal	ISO 6015	kN	188	188	188	188	188	188	188	
	Power boost	ISO 6015	kN	205	205	205	205	205	205	205	
Tearout force - dipper arm	Normal	SAE J1179	kN	157	132	115	157	132	115	157	
	Power boost	SAE J1179	kN	170	143	125	170	143	125	170	
	Normal	ISO 6015	kN	161	135	118	161	135	118	161	
	Power boost	ISO 6015	kN	176	147	128	176	147	128	176	
Rotation angle, bucket			°	179	179	179	179	179	179	179	

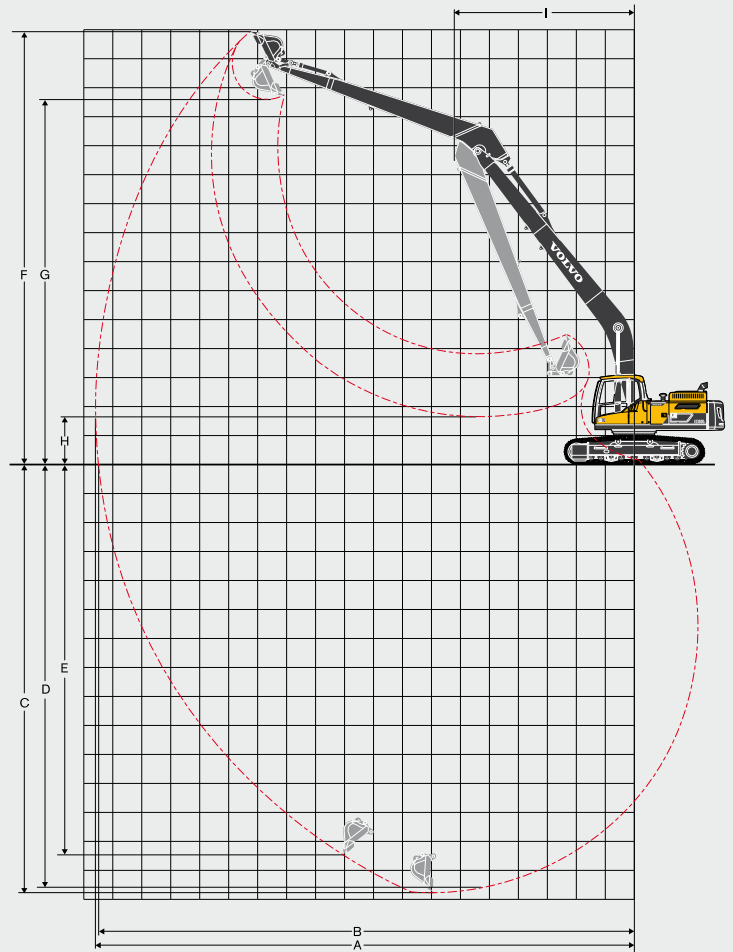
WORKING RANGES



Machine with mono boom



Machine with 2-piece boom



Machine with Long-Reach boom

EXPLANATION OF LIFTING CAPACITY TABLES

Example: • EC300DL

Lifting capacity at the arm end without bucket.

For lifting capacity including bucket, simply subtract actual weight of the direct fit bucket or the bucket with quick fit from the following values.

	Lifting hook related to ground level	Along		Across		Along		Across		Along		Across		Along		Across		Max. mm
		undercarriage 1,5 m	undercarriage 3,0 m	undercarriage 4,5 m	undercarriage 6,0 m	undercarriage 7,5 m	undercarriage 9,0 m	undercarriage Max. reach										
Boom: 6,2m	4,5 m kg	-	-	-	-	-	-	*7420	*7420	*6810	5610	*6410	4080	*4750	3780	9,4		
Arm: 3,7m	3,0 m kg	-	-	-	-	*11690	*11690	*8950	7550	*7620	5340	6280	3950	*4880	3500	9,7		
Shoe: 600mm	1,5 m kg	-	-	-	-	*14520	10710	*10460	7040	8150	5060	6120	3810	*5190	3380	9,7		
CWT: 5500kg	0 m kg	-	-	*6750	*6750	*16180	10140	11170	6680	7900	4850	6000	3700	5560	3430	9,5		
	-1,5 m kg	*6940	*6940	*10970	*10970	*16650	9920	10940	6480	7760	4720	5950	3660	5940	3650	9,1		

- Notes:
1. Machine in "Fine Mode-F" (Power Boost) for lifting capacities.
 2. The above loads are in compliance with SAE J1097 and ISO 10567 Hydraulic Excavator Lifting Capacity Standards.
 3. Rated loads do not exceed 87% of hydraulic lifting capacity or 75% of tipping load.
 4. Rated loads marked with an asterisk (*) are limited by hydraulic capacity rather than tipping load.

SPECIFICATIONS.

LIFTING CAPACITY EC250DL

		1,5 m		3,0 m		4,5 m		6,0 m		7,5 m		9,0 m		Max. reach		Max. m	
		Along UC	Across UC	Along UC	Across UC	Along UC	Across UC	Along UC	Across UC	Along UC	Across UC	Along UC	Across UC	Along UC	Across UC		
Boom : 6,0m Arm : 2,5m Shoe : 600mm CWT : 4950kg	7,5 m kg	-	-	-	-	-	-	*6820	*6820	-	-	-	-	*6880	*6880	6,2	
	6,0 m kg	-	-	-	-	-	-	*6840	*6840	-	-	-	-	*6880	5260	7,3	
	4,5 m kg	-	-	-	-	*9240	*9240	*7690	6900	*7050	4890	-	-	6610	4480	8	
	3,0 m kg	-	-	-	-	*11950	9980	*8900	6580	7070	4750	-	-	6080	4090	8,3	
	1,5 m kg	-	-	-	-	*14060	9430	9680	6300	6910	4610	-	-	5920	3960	8,4	
	0 m kg	-	-	-	-	*14850	9220	9480	6120	6810	4510	-	-	6080	4050	8,2	
	-1,5 m kg	-	-	*10430	*10430	*14660	9200	9410	6060	6790	4490	-	-	6670	4420	7,6	
	-3,0 m kg	-	-	*18740	18730	*13570	9320	9500	6140	-	-	-	-	8060	5300	6,8	
-4,5 m kg	-	-	*15020	*15020	*10950	9620	-	-	-	-	-	-	9100	7690	5,3		
Boom : 6,0m Arm : 2,97m Shoe : 600mm CWT : 4950kg	7,5 m kg	-	-	-	-	-	-	-	-	-	-	-	-	*6100	*6100	6,7	
	6,0 m kg	-	-	-	-	-	-	*6270	*6270	*6350	5050	-	-	*5840	4860	7,7	
	4,5 m kg	-	-	-	-	*8360	*8360	*7170	7010	*6630	4960	-	-	*5870	4190	8,4	
	3,0 m kg	-	-	-	-	*11090	10210	*8440	6680	7130	4810	-	-	5710	3860	8,7	
	1,5 m kg	-	-	-	-	*13470	9580	*9710	6370	6950	4640	-	-	5560	3740	8,8	
	0 m kg	-	-	-	-	*14670	9270	9520	6150	6820	4520	-	-	5690	3800	8,6	
	-1,5 m kg	kg	*6670	*6670	*10690	*10690	*14820	9190	9410	6060	6770	4470	-	-	6170	4100	8,1
	-3,0 m kg	*12370	*12370	*17780	*17780	*14070	9260	9440	6090	-	-	-	-	7260	4790	7,2	
-4,5 m kg	-	-	*16810	*16810	*12060	9490	-	-	-	-	-	-	8960	6520	5,9		
Boom : 6,0m Arm : 3,6m Shoe : 600mm CWT : 4950kg	7,5 m kg	-	-	-	-	-	-	-	-	-	-	-	-	*5080	*5080	7,3	
	6,0 m kg	-	-	-	-	-	-	-	-	*5620	5160	-	-	*4930	4420	8,3	
	4,5 m kg	-	-	-	-	-	-	*6390	*6390	*6040	5030	-	-	*4990	3870	8,9	
	3,0 m kg	-	-	*15700	*15700	*9800	*9800	*7720	6780	*6730	4850	5400	3650	*5210	3570	9,2	
	1,5 m kg	-	-	-	-	*12460	9720	*9110	6420	6980	4660	5300	3560	5140	3450	9,2	
	0 m kg	-	-	*7100	*7100	*14140	9260	9520	6150	6810	4500	-	-	5230	3490	9	
	-1,5 m kg	*6850	*6850	*10840	*10840	*14740	9090	9350	6000	6710	4420	-	-	5600	3720	8,6	
	-3,0 m kg	*11080	*11080	*16030	*16030	*14430	9090	9330	5980	6720	4420	-	-	6420	4240	7,8	
-4,5 m kg	*16390	*16390	*18660	18530	*13040	9260	9460	6100	-	-	-	-	8340	5440	6,6		
-6,0 m kg	-	-	-	-	*9530	*9530	-	-	-	-	-	-	9450	*9450	4,6		
Boom : 5,95m 2-piece Arm : 2,5m Shoe : 600mm CWT : 4950kg	9,0 m kg	-	-	-	-	-	-	-	-	-	-	-	-	*9660	*9660	4,3	
	7,5 m kg	-	-	-	-	*9830	*9830	*8660	7160	-	-	-	-	*8060	6880	6,2	
	6,0 m kg	-	-	-	-	*10080	*10080	*9030	7120	-	-	-	-	*7540	5190	7,3	
	4,5 m kg	-	-	-	-	*12150	10740	*9620	6870	7210	4840	-	-	6570	4410	8	
	3,0 m kg	-	-	-	-	*13990	9920	10000	6530	7050	4700	-	-	6040	4030	8,3	
	1,5 m kg	-	-	-	-	*14820	9340	9650	6230	6890	4550	-	-	5880	3900	8,4	
	0 m kg	-	-	-	-	*14200	9110	9450	6050	6780	4450	-	-	6050	4000	8,2	
	-1,5 m kg	-	-	*10220	*10220	*12540	9110	9390	6000	6780	4450	-	-	6650	4370	7,7	
-3,0 m kg	-	-	-	-	*9760	9250	*7500	6090	-	-	-	-	6020	5250	6,8		
Boom : 5,95m 2-piece Arm : 2,97m Shoe : 600mm CWT : 4950kg	9,0 m kg	-	-	-	-	*7920	*7920	-	-	-	-	-	-	*6920	*6920	5	
	7,5 m kg	-	-	-	-	*7850	*7850	*7530	7340	-	-	-	-	*6000	*6000	6,7	
	6,0 m kg	-	-	-	-	*8030	*8030	*8350	7260	*6570	5010	-	-	*5690	4780	7,8	
	4,5 m kg	-	-	*16310	*16310	*11470	10990	*9250	6990	7300	4920	-	-	*5670	4120	8,4	
	3,0 m kg	-	-	-	-	*13450	10170	*10110	6640	7120	4760	-	-	5660	4120	8,7	
	1,5 m kg	-	-	-	-	*14710	9490	9740	6300	6930	4590	-	-	5510	3670	8,8	
	0 m kg	-	-	-	-	*14580	9160	9490	6080	6800	4470	-	-	5650	3740	8,6	
	-1,5 m kg	-	-	*10510	*10510	*13280	9090	9390	5990	6750	4420	-	-	6130	4040	8,1	
-3,0 m kg	-	-	-	-	*10880	9180	*8370	6040	-	-	-	-	6180	4730	7,3		
Boom : 5,95m 2-piece Arm : 3,6m Shoe : 600mm CWT : 4950kg	9,0 m kg	-	-	-	-	-	-	-	-	-	-	-	-	*5550	*5550	5,9	
	7,5 m kg	-	-	-	-	-	-	*6510	*6510	-	-	-	-	*5000	*5000	7,3	
	6,0 m kg	-	-	-	-	-	-	*6890	*6890	*6340	5130	-	-	*4810	4330	8,3	
	4,5 m kg	-	-	*7670	*7670	*8230	*8230	*8150	7140	7400	5010	-	-	*4830	3790	8,9	
	3,0 m kg	-	-	-	-	*12530	10450	*9610	6750	7190	4810	5380	3600	*5000	3490	9,2	
	1,5 m kg	-	-	-	-	*14220	9640	9820	6370	6970	4610	5280	3510	5080	3380	9,3	
	0 m kg	-	-	*6910	*6910	*14690	9160	9500	6080	6790	4450	5200	3440	5170	3420	9,1	
	-1,5 m kg	-	-	*10670	*10670	*13920	8980	9330	5930	6690	4360	-	-	5540	3650	8,6	
-3,0 m kg	-	-	*15880	*15880	*12030	9010	*9170	5920	6710	4380	-	-	*6250	4170	7,8		

LIFTING CAPACITY EC250DNL

		1,5 m		3,0 m		4,5 m		6,0 m		7,5 m		9,0 m		Max. reach		Max. m	
		Along UC	Across UC	Along UC	Across UC	Along UC	Across UC	Along UC	Across UC	Along UC	Across UC	Along UC	Across UC	Along UC	Across UC		
Boom : 6,0m Arm : 2,5m Shoe : 600mm CWT : 4950kg	7,5 m	kg	-	-	-	-	-	-	*6820	6630	-	-	-	-	*6880	6410	6,2
	6,0 m	kg	-	-	-	-	-	-	*6840	6590	-	-	-	-	*6880	4850	7,3
	4,5 m	kg	-	-	-	-	*9240	*9240	*7690	6350	*7050	4500	-	-	6590	4120	8
	3,0 m	kg	-	-	-	-	*11950	9080	*8900	6040	7050	4360	-	-	6060	3760	8,3
	1,5 m	kg	-	-	-	-	*14060	8540	9650	5760	6890	4220	-	-	5900	3630	8,4
	0 m	kg	-	-	-	-	*14850	8340	9440	5580	6780	4130	-	-	6060	3710	8,2
	-1,5 m	kg	-	-	*10430	*10430	*14660	8320	9380	5530	6770	4110	-	-	6650	4050	7,6
	-3,0 m	kg	-	-	*18740	16520	*13570	8430	9460	5600	-	-	-	-	8030	4840	6,8
-4,5 m	kg	-	-	*15020	*15020	*10950	8730	-	-	-	-	-	-	*9100	7010	5,3	
Boom : 6,0m Arm : 2,97m Shoe : 600mm CWT : 4950kg	7,5 m	kg	-	-	-	-	-	-	-	-	-	-	-	-	*6100	5730	6,7
	6,0 m	kg	-	-	-	-	-	-	*6270	*6270	*6350	4660	-	-	*5840	4480	7,7
	4,5 m	kg	-	-	-	-	*8360	*8360	*7170	6460	*6630	4570	-	-	*5870	3860	8,4
	3,0 m	kg	-	-	-	-	*11090	9300	*8440	6130	7110	4420	-	-	5690	3550	8,7
	1,5 m	kg	-	-	-	-	*13470	8690	*9710	5830	6930	4260	-	-	5540	3430	8,8
	0 m	kg	-	-	-	-	*14670	8380	9480	5620	6800	4140	-	-	5670	3480	8,6
	-1,5 m	kg	*6670	*6670	*10690	*10690	*14820	8310	9380	5530	6740	4090	-	-	6140	3750	8,1
	-3,0 m	kg	*12370	*12370	*17780	16350	*14070	8370	9410	5550	-	-	-	-	7240	4390	7,2
-4,5 m	kg	-	-	*16810	16750	*12060	8600	-	-	-	-	-	-	*8960	5950	5,9	
Boom : 6,0m Arm : 3,6m Shoe : 600mm CWT : 4950kg	7,5 m	kg	-	-	-	-	-	-	-	-	-	-	-	-	*5080	5070	7,3
	6,0 m	kg	-	-	-	-	-	-	-	-	*5620	4760	-	-	*4930	4080	8,3
	4,5 m	kg	-	-	-	-	-	-	*6390	*6390	*6040	4640	-	-	*4990	3560	8,9
	3,0 m	kg	-	-	*15700	*15700	*9800	9540	*7720	6230	*6730	4460	5380	3350	*5210	3280	9,2
	1,5 m	kg	-	-	-	-	*12460	8820	*9110	5880	6960	4280	5280	3260	5120	3160	9,2
	0 m	kg	-	-	*7100	*7100	*14140	8380	9490	5610	6790	4120	-	-	5210	3190	9
	-1,5 m	kg	*6850	*6850	*10840	*10840	*14740	8210	9320	5470	6690	4040	-	-	5580	3400	8,6
	-3,0 m	kg	*11080	*11080	*16030	15980	*14430	8210	9300	5450	6690	4040	-	-	6400	3880	7,8
-4,5 m	kg	*16390	*16390	*18660	16330	*13040	8380	9430	5560	-	-	-	-	8320	4970	6,6	
-6,0 m	kg	-	-	-	-	*9530	8780	-	-	-	-	-	-	*9450	8690	4,6	
Boom : 5,95m 2-piece Arm : 2,5m Shoe : 600mm CWT : 4950kg	9,0 m	kg	-	-	-	-	-	-	-	-	-	-	-	-	*9660	*9660	4,3
	7,5 m	kg	-	-	-	-	*9830	*9830	*8660	6590	-	-	-	-	*8060	6330	6,2
	6,0 m	kg	-	-	-	-	*10080	*10080	*9030	6560	-	-	-	-	*7540	4770	7,3
	4,5 m	kg	-	-	-	-	*12150	9790	*9620	6310	7190	4450	-	-	6550	4050	8
	3,0 m	kg	-	-	-	-	*13990	9010	9970	5980	7030	4310	-	-	6020	3690	8,3
	1,5 m	kg	-	-	-	-	*14820	8440	9620	5680	6870	4160	-	-	5860	3570	8,4
	0 m	kg	-	-	-	-	*14200	8220	9420	5500	6760	4070	-	-	6030	3650	8,2
	-1,5 m	kg	-	-	*10220	*10220	*12540	8220	9360	5450	6760	4060	-	-	6620	3990	7,7
-3,0 m	kg	-	-	-	-	*9760	8360	*7500	5550	-	-	-	-	*6020	4800	6,8	
Boom : 5,95m 2-piece Arm : 2,97m Shoe : 600mm CWT : 4950kg	9,0 m	kg	-	-	-	-	*7920	*7920	-	-	-	-	-	-	*6920	*6920	5
	7,5 m	kg	-	-	-	-	*7850	*7850	*7530	6770	-	-	-	-	*6000	5640	6,7
	6,0 m	kg	-	-	-	-	*8030	*8030	*8350	6690	*6570	4610	-	-	*5690	4400	7,8
	4,5 m	kg	-	-	*16310	*16310	*11470	10040	*9250	6430	7280	4530	-	-	*5670	3780	8,4
	3,0 m	kg	-	-	-	-	*13450	9240	10090	6080	7100	4370	-	-	5640	3470	8,7
	1,5 m	kg	-	-	-	-	*14710	8590	9710	5750	6910	4200	-	-	5500	3360	8,8
	0 m	kg	-	-	-	-	*14580	8270	9460	5540	6780	4080	-	-	5630	3420	8,6
	-1,5 m	kg	-	-	*10510	*10510	*13280	8200	9360	5450	6730	4040	-	-	6110	3690	8,1
-3,0 m	kg	-	-	-	-	*10880	8290	*8370	5490	-	-	-	-	*6180	4320	7,3	
Boom : 5,95m 2-piece Arm : 3,6m Shoe : 600mm CWT : 4950kg	9,0 m	kg	-	-	-	-	-	-	-	-	-	-	-	-	*5550	*5550	5,9
	7,5 m	kg	-	-	-	-	-	-	*6510	*6510	-	-	-	-	*5000	4960	7,3
	6,0 m	kg	-	-	-	-	-	-	*6890	6850	*6340	4730	-	-	*4810	3990	8,3
	4,5 m	kg	-	-	*7670	*7670	*8230	*8230	*8150	6570	7380	4610	-	-	*4830	3480	8,9
	3,0 m	kg	-	-	-	-	*12530	9510	*9610	6190	7170	4420	5360	3300	*5000	3200	9,2
	1,5 m	kg	-	-	-	-	*14220	8730	9790	5810	6940	4220	5260	3210	5070	3090	9,3
	0 m	kg	-	-	*6910	*6910	*14690	8270	9460	5530	6770	4060	5190	3140	5160	3120	9,1
	-1,5 m	kg	-	-	*10670	*10670	*13920	8090	9300	5390	6670	3980	-	-	5520	3330	8,6
-3,0 m	kg	-	-	*15880	15820	*12030	8120	*9170	5380	6690	3990	-	-	*6250	3800	7,8	

SPECIFICATIONS.

LIFTING CAPACITY EC250DLR

		6,0 m		7,5 m		9,0 m		10,5 m	
		Along UC	Across UC	Along UC	Across UC	Along UC	Across UC	Along UC	Across UC
Boom : 10,2m	13,5 m kg	-	-	-	-	-	-	-	-
Arm : 7,85m	12,0 m kg	-	-	-	-	-	-	-	-
Shoe : 800mm	10,5 m kg	-	-	-	-	-	-	-	-
CWT : 6200kg	9,0 m kg	-	-	-	-	-	-	-	-
	7,5 m kg	-	-	-	-	-	-	-	-
	6,0 m kg	-	-	-	-	-	-	-	-
	4,5 m kg	-	-	-	-	-	-	*2890	*2890
	3,0 m kg	*5360	*5360	*4300	*4300	*3660	*3660	*3230	2900
	1,5 m kg	*6560	5970	*5050	4410	*4150	3390	*3580	2670
	0 m kg	*7520	5280	*5700	3960	*4610	3080	*3910	2450
	-1,5 m kg	*8170	4840	5990	3620	4640	2830	3730	2270
	-3,0 m kg	7980	4600	5760	3400	4450	2660	3580	2130
	-4,5 m kg	7860	4500	5630	3290	4340	2550	3490	2050
	-6,0 m kg	7850	4490	5580	3250	4290	2500	3440	2000
	-7,5 m kg	7930	4560	5610	3270	4290	2510	3450	2010
-9,0 m kg	*7820	4700	5710	3360	4360	2570	3500	2060	
-10,5 m kg	*7060	4910	*5720	3510	4490	2690	3620	2170	
-12,0 m kg	*5920	5210	*4800	3750	*3890	2900	-	-	

		12,0 m		13,5 m		15,0 m		Max. reach		Max.
		Along UC	Across UC	Along UC	Across UC	Along UC	Across UC	Along UC	Across UC	m
Boom : 10,2m	13,5 m kg	-	-	-	-	-	-	*1050	*1050	12,5
Arm : 7,85m	12,0 m kg	-	-	*1150	*1150	-	-	*980	*980	13,8
Shoe : 800mm	10,5 m kg	-	-	*1720	*1720	-	-	*950	*950	14,8
CWT : 6200kg	9,0 m kg	-	-	*2080	*2080	*1340	*1340	*930	*930	15,5
	7,5 m kg	*2290	*2290	*2260	2150	*1770	1680	*930	*930	16,1
	6,0 m kg	*2470	*2470	*2380	2060	*2100	1620	*940	*940	16,6
	4,5 m kg	*2690	2470	*2540	1950	*2410	1550	*970	*970	16,9
	3,0 m kg	*2930	2300	*2710	1840	2390	1470	*1010	*1010	17,1
	1,5 m kg	*3180	2130	2770	1720	2310	1390	*1060	1030	17,1
	0 m kg	3200	1980	2660	1610	2230	1310	*1140	1000	17
	-1,5 m kg	3060	1850	2560	1510	2160	1240	*1240	1000	16,8
	-3,0 m kg	2950	1740	2480	1440	2110	1200	*1370	1020	16,4
	-4,5 m kg	2880	1670	2430	1390	2080	1170	*1550	1070	15,8
	-6,0 m kg	2850	1640	2410	1370	*2000	1170	*1800	1160	15,1
	-7,5 m kg	2860	1650	2430	1390	-	-	*2170	1300	14,3
-9,0 m kg	2920	1710	-	-	-	-	2610	1530	13,1	
-10,5 m kg	-	-	-	-	-	-	3170	1900	11,7	
-12,0 m kg	-	-	-	-	-	-	*3460	2600	9,8	

LIFTING CAPACITY EC300DL

		1,5 m		3,0 m		4,5 m		6,0 m		7,5 m		9,0 m		Max, reach		Max, m	
		Along UC	Across UC	Along UC	Across UC	Along UC	Across UC	Along UC	Across UC	Along UC	Across UC	Along UC	Across UC	Along UC	Across UC		
Boom : 6,2m Arm : 2,55m Shoe : 600mm CWT : 5500kg	7,5 m	kg	-	-	-	-	-	*7600	*7600	-	-	-	-	*7740	7180	6,6	
	6,0 m	kg	-	-	-	-	-	*7920	*7920	*7700	5610	-	-	*7710	5530	7,6	
	4,5 m	kg	-	-	-	-	*11200	*11200	*8990	7800	*8000	5480	-	-	7410	4720	8,2
	3,0 m	kg	-	-	-	-	*14260	11090	*10370	7330	8350	5260	-	-	6840	4320	8,5
	1,5 m	kg	-	-	-	-	*16330	10380	11440	6930	8120	5050	-	-	6670	4180	8,6
	0 m	kg	-	-	-	-	*16890	10140	11170	6700	7960	4920	-	-	6860	4270	8,4
	-1,5 m	kg	-	-	*12830	*12830	*16440	10140	11090	6640	7940	4890	-	-	7540	4670	7,8
	-3,0 m	kg	-	-	*20420	*20420	*15070	10310	11210	6740	-	-	-	-	9130	5610	6,9
	-4,5 m	kg	-	-	*16190	*16190	*12070	10720	-	-	-	-	-	-	*9720	8130	5,5
Boom : 6,2m Arm : 3,05m Shoe : 600mm CWT : 5500kg	7,5 m	kg	-	-	-	-	-	-	-	-	-	-	-	*6300	6090	7,3	
	6,0 m	kg	-	-	-	-	-	-	-	*6980	5660	-	-	*6030	4850	8,2	
	4,5 m	kg	-	-	-	-	-	-	*8280	7870	*7440	5490	-	-	*6010	4200	8,8
	3,0 m	kg	-	-	-	-	*13090	11300	*9720	7370	*8160	5240	6200	3900	6170	3880	9,1
	1,5 m	kg	-	-	-	-	*15540	10430	*11070	6920	8070	5000	6090	3810	6020	3770	9,1
	0 m	kg	-	-	-	-	*16600	10030	11090	6620	7880	4830	-	-	6170	3840	8,9
	-1,5 m	kg	*7500	*7500	*11670	*11670	*16550	9950	10960	6500	7800	4750	-	-	6680	4140	8,4
	-3,0 m	kg	*13800	*13800	*19390	*19390	*15550	10060	11010	6540	7890	4840	-	-	7840	4810	7,6
	-4,5 m	kg	-	-	*18200	*18200	*13220	10390	*9630	6810	-	-	-	-	*9020	6470	6,3
Boom : 6,2m Arm : 3,7m Shoe : 600mm CWT : 5500kg	7,5 m	kg	-	-	-	-	-	-	-	*6170	5870	-	-	*4950	*4950	8	
	6,0 m	kg	-	-	-	-	-	-	-	*6250	5810	-	-	*4760	4300	8,9	
	4,5 m	kg	-	-	-	-	-	-	*7420	*7420	*6810	5610	*6410	4080	*4750	3780	9,4
	3,0 m	kg	-	-	-	-	*11690	*11690	*8950	7550	*7620	5340	6280	3950	*4880	3500	9,7
	1,5 m	kg	-	-	-	-	*14520	10710	*10460	7040	8150	5060	6120	3810	*5190	3380	9,7
	0 m	kg	-	-	*6750	*6750	*16180	10140	11170	6680	7900	4850	6000	3700	5560	3430	9,5
	-1,5 m	kg	*6940	*6940	*10970	*10970	*16650	9920	10940	6480	7760	4720	5950	3660	5940	3650	9,1
	-3,0 m	kg	*11600	*11600	*16610	*16610	*16130	9940	10910	6460	7760	4720	-	-	6780	4160	8,3
	-4,5 m	kg	*17380	*17380	*20560	*20560	*14460	10160	*10740	6600	-	-	-	-	*8480	5260	7,2
-6,0 m	kg	-	-	*15040	*15040	*10660	*10660	-	-	-	-	-	-	*8610	8410	5,3	
Boom : 6,2m 2-piece Arm : 2,55m Shoe : 600mm CWT : 5500kg	9,0 m	kg	-	-	-	-	*11630	*11630	-	-	-	-	-	-	*10600	*10600	5
	7,5 m	kg	-	-	-	-	*11220	*11220	*9910	8330	-	-	-	-	*9280	6970	6,7
	6,0 m	kg	-	-	*12100	*12100	*12180	*12180	*10160	8160	8740	5560	-	-	8460	5380	7,7
	4,5 m	kg	-	-	-	-	*14110	12140	*10930	7750	8590	5420	-	-	7300	4590	8,3
	3,0 m	kg	-	-	-	-	*16140	10970	*11800	7250	8330	5190	-	-	6740	4200	8,6
	1,5 m	kg	-	-	-	-	-	-	11410	6830	8100	4980	-	-	6570	4060	8,7
	0 m	kg	-	-	-	-	*15850	9990	11140	6600	7940	4840	-	-	6770	4160	8,4
	-1,5 m	kg	-	-	-	-	*13950	10020	*10950	6540	7930	4830	-	-	7440	4550	7,9
	-3,0 m	kg	-	-	-	-	*10920	10230	*8620	6670	-	-	-	-	*6660	5480	7
Boom : 6,2m 2-piece Arm : 3,05m Shoe : 600mm CWT : 5500kg	9,0 m	kg	-	-	-	-	*9590	*9590	-	-	-	-	-	-	*7210	*7210	5,9
	7,5 m	kg	-	-	-	-	*9010	*9010	*9200	8470	-	-	-	-	*6370	5910	7,3
	6,0 m	kg	-	-	-	-	*9570	*9570	*9550	8270	*8510	5620	-	-	*6050	4710	8,3
	4,5 m	kg	-	-	-	-	*13180	12430	*10380	7830	8620	5440	-	-	*6000	4080	8,9
	3,0 m	kg	-	-	-	-	*15380	11200	*11360	7300	8330	5180	6190	3830	6070	3770	9,1
	1,5 m	kg	-	-	-	-	*16560	10280	11410	6820	8050	4930	6070	3720	5930	3660	9,2
	0 m	kg	-	-	-	-	*16220	9880	11060	6520	7860	4750	-	-	6080	3730	9
	-1,5 m	kg	-	-	*10830	*10830	*14700	9810	10930	6400	7780	4680	-	-	6600	4030	8,5
	-3,0 m	kg	-	-	-	-	*12080	9960	*9420	6470	*6640	4790	-	-	*6340	4700	7,7
Boom : 6,2m 2-piece Arm : 3,7m Shoe : 600mm CWT : 5500kg	9,0 m	kg	-	-	-	-	-	*7240	*7240	-	-	-	-	*5550	*5550	6,8	
	7,5 m	kg	-	-	-	-	-	*7460	*7460	*6680	5850	-	-	*5010	*5010	8,1	
	6,0 m	kg	-	-	-	-	*7030	*7030	*7800	*7800	*7700	5790	-	-	*4780	4170	9
	4,5 m	kg	-	-	*9960	*9960	*9810	*9810	*9540	8060	*8370	5570	6410	4030	*4740	3670	9,5
	3,0 m	kg	-	-	-	-	*14410	11670	*10830	7500	8450	5280	6270	3900	*4840	3390	9,8
	1,5 m	kg	-	-	-	-	*16160	10590	11580	6960	8130	4990	6110	3750	*5100	3280	9,8
	0 m	kg	-	-	*5970	*5970	*16510	9980	11140	6580	7880	4770	5980	3640	5480	3330	9,6
	-1,5 m	kg	-	-	*10230	*10230	*15570	9770	10910	6380	7740	4640	5940	3600	5860	3550	9,1
	-3,0 m	kg	-	-	*15950	*15950	*13480	9820	*10330	6370	7750	4650	-	-	*6190	4060	8,4
-4,5 m	kg	-	-	-	-	*9990	*9990	*7590	6550	-	-	-	-	*6210	5480	7,3	

SPECIFICATIONS.

LIFTING CAPACITY EC300DNL

		1,5 m		3,0 m		4,5 m		6,0 m		7,5 m		9,0 m		Max, reach		Max, m	
		Along UC	Across UC	Along UC	Across UC	Along UC	Across UC	Along UC	Across UC	Along UC	Across UC	Along UC	Across UC	Along UC	Across UC		
Boom : 6,2m Arm : 2,55m Shoe : 600mm CWT : 5500kg	7,5 m	kg	-	-	-	-	-	-	*7600	*7600	-	-	-	-	*7740	7130	6,6
	6,0 m	kg	-	-	-	-	-	-	*7920	*7920	*7700	5570	-	-	*7710	5490	7,6
	4,5 m	kg	-	-	-	-	*11200	*11200	*8990	7740	*8000	5440	-	-	7350	4690	8,2
	3,0 m	kg	-	-	-	-	*14260	11010	*10370	7280	8280	5220	-	-	6780	4280	8,5
	1,5 m	kg	-	-	-	-	*16330	10300	11340	6880	8050	5010	-	-	6610	4140	8,6
	0 m	kg	-	-	-	-	*16890	10060	11080	6650	7900	4880	-	-	6810	4230	8,4
	-1,5 m	kg	-	-	*12830	*12830	*16440	10060	11000	6580	7870	4850	-	-	7480	4630	7,8
	-3,0 m	kg	-	-	*20420	*20420	*15070	10230	11110	6680	-	-	-	-	9050	5560	6,9
-4,5 m	kg	-	-	*16190	*16190	*12070	10640	-	-	-	-	-	-	*9720	8060	5,5	
Boom : 6,2m Arm : 3,05m Shoe : 600mm CWT : 5500kg	7,5 m	kg	-	-	-	-	-	-	-	-	-	-	-	-	*6300	6090	7,2
	6,0 m	kg	-	-	-	-	-	-	-	-	*6980	5660	-	-	*6030	4850	8,2
	4,5 m	kg	-	-	-	-	-	-	*8280	7870	*7440	5490	-	-	*6010	4200	8,7
	3,0 m	kg	-	-	-	-	*13090	11300	*9720	7370	*8160	5240	6200	3890	6170	3870	9,0
	1,5 m	kg	-	-	-	-	*15540	10430	*11070	6920	8070	5000	6090	3790	6020	3740	9,1
	0 m	kg	-	-	-	-	*16600	10030	11090	6620	7880	4830	-	-	6170	3810	8,9
	-1,5 m	kg	*7500	*7500	*11670	*11670	*16550	9950	10960	6500	7800	4750	-	-	6680	4110	8,4
	-3,0 m	kg	*13800	*13800	*19390	*19390	*15550	10060	11010	6540	7890	4840	-	-	7840	4810	7,5
-4,5 m	kg	-	-	*18200	*18200	*13220	10390	*9630	6810	-	-	-	-	*9020	6470	6,2	
Boom : 6,2m Arm : 3,7m Shoe : 600mm CWT : 5500kg	7,5 m	kg	-	-	-	-	-	-	-	*6170	5830	-	-	*4950	*4950	8	
	6,0 m	kg	-	-	-	-	-	-	-	*6250	5770	-	-	*4760	4260	8,9	
	4,5 m	kg	-	-	-	-	-	-	*7420	*7420	*6810	5570	6360	4050	*4750	3750	9,4
	3,0 m	kg	-	-	-	-	*11690	11650	*8950	7490	*7620	5300	6220	3920	*4880	3470	9,7
	1,5 m	kg	-	-	-	-	*14520	10630	*10460	6990	8080	5020	6070	3780	*5190	3350	9,7
	0 m	kg	-	-	*6750	*6750	*16180	10050	11070	6620	7840	4800	5950	3670	5510	3390	9,5
	-1,5 m	kg	*6940	*6940	*10970	*10970	*16650	9840	10850	6430	7700	4680	5900	3620	5890	3620	9,1
	-3,0 m	kg	*11600	*11600	*16610	*16610	*16130	9860	10820	6400	7690	4680	-	-	6720	4120	8,3
-4,5 m	kg	*17380	*17380	*20560	*20560	*14460	10080	*10740	6550	-	-	-	-	*8480	5220	7,2	
-6,0 m	kg	-	-	*15040	*15040	*10660	10600	-	-	-	-	-	-	*8610	8350	5,4	
Boom : 6,2m 2-piece Arm : 2,55m Shoe : 600mm CWT : 5500kg	9,0 m	kg	-	-	-	-	*11630	*11630	-	-	-	-	-	-	*10600	*10600	5
	7,5 m	kg	-	-	-	-	*11220	*11220	*9910	8270	-	-	-	-	*9280	6920	6,7
	6,0 m	kg	-	-	*12100	*12100	*12180	*12180	*10160	8100	8670	5520	-	-	8400	5330	7,7
	4,5 m	kg	-	-	-	-	*14110	12060	*10930	7690	8520	5380	-	-	7240	4560	8,3
	3,0 m	kg	-	-	-	-	*16140	10890	11800	7200	8270	5150	-	-	6680	4160	8,6
	1,5 m	kg	-	-	-	-	-	-	11320	6780	8030	4940	-	-	6510	4030	8,7
	0 m	kg	-	-	-	-	*15850	9910	11040	6540	7870	4800	-	-	6710	4120	8,4
	-1,5 m	kg	-	-	-	-	*13950	9940	*10950	6490	7860	4780	-	-	7380	4520	7,9
-3,0 m	kg	-	-	-	-	*10920	10150	*8620	6620	-	-	-	-	*6660	5440	7	
Boom : 6,2m 2-piece Arm : 3,05m Shoe : 600mm CWT : 5500kg	9,0 m	kg	-	-	-	-	*9620	*9620	-	-	-	-	-	-	*7230	*7230	5,9
	7,5 m	kg	-	-	-	-	*9040	*9040	*9250	8460	-	-	-	-	*6390	5910	7,3
	6,0 m	kg	-	-	-	-	*9600	*9600	*9600	8260	*8570	5630	-	-	*6070	4720	8,3
	4,5 m	kg	-	-	-	-	*13260	12400	*10450	7830	8610	5450	-	-	*6020	4100	8,9
	3,0 m	kg	-	-	-	-	*15480	11210	*11440	7310	8320	5200	6190	3850	6070	3780	9,1
	1,5 m	kg	-	-	-	-	*16680	10300	11400	6840	8050	4950	6070	3750	5930	3660	9,2
	0 m	kg	-	-	-	-	*16330	9910	11050	6540	7850	4770	-	-	6080	3730	9
	-1,5 m	kg	-	-	*10860	*10860	*14820	9840	10920	6430	7780	4710	-	-	6600	4040	8,5
-3,0 m	kg	-	-	-	-	*12190	9990	*9510	6490	*6710	4810	-	-	*6410	4720	7,7	
Boom : 6,2m 2-piece Arm : 3,7m Shoe : 600mm CWT : 5500kg	9,0 m	kg	-	-	-	-	-	-	*7240	*7240	-	-	-	-	*5550	*5550	6,8
	7,5 m	kg	-	-	-	-	-	-	*7460	*7460	*6680	5810	-	-	*5010	*5010	8,1
	6,0 m	kg	-	-	-	-	*7030	*7030	*7800	*7800	*7700	5750	-	-	*4780	4140	9
	4,5 m	kg	-	-	*9960	*9960	*9810	*9810	*9540	8000	*8370	5530	6360	4000	*4740	3630	9,5
	3,0 m	kg	-	-	-	-	*14410	11590	*10830	7440	8390	5240	6210	3870	*4840	3360	9,8
	1,5 m	kg	-	-	-	-	*16160	10500	11490	6900	8060	4950	6050	3720	*5100	3250	9,8
	0 m	kg	-	-	*5970	*5970	*16510	9900	11040	6520	7810	4730	5930	3600	5430	3300	9,6
	-1,5 m	kg	-	-	*10230	*10230	*15570	9690	10820	6330	7680	4600	5890	3570	5810	3520	9,1
-3,0 m	kg	-	-	*15950	*15950	*13480	9740	*10330	6310	7690	4610	-	-	*6190	4020	8,4	
-4,5 m	kg	-	-	-	-	*9990	*9990	*7590	6490	-	-	-	-	*6210	5415	7,3	

LIFTING CAPACITY EC300DLR

		6,0 m		7,5 m		9,0 m		10,5 m	
		Along UC	Across UC	Along UC	Across UC	Along UC	Across UC	Along UC	Across UC
Boom : 10,2m	13,5 m kg	-	-	-	-	-	-	-	-
Arm : 7,9m	12,0 m kg	-	-	-	-	-	-	-	-
Shoe : 800mm	10,5 m kg	-	-	-	-	-	-	-	-
CWT : 6800kg	9,0 m kg	-	-	-	-	-	-	-	-
	7,5 m kg	-	-	-	-	-	-	-	-
	6,0 m kg	-	-	-	-	-	-	-	-
	4,5 m kg	-	-	-	-	-	-	*3640	*3640
	3,0 m kg	-	-	*5390	*5390	*4590	*4590	*4050	3670
	1,5 m kg	*8160	7470	*6290	5540	*5190	4280	*4470	3410
	0 m kg	*9280	6710	*7060	5030	*5730	3940	*4860	3160
	-1,5 m kg	*10020	6220	*7650	4660	6130	3670	4940	2960
	-3,0 m kg	*9880	5950	7650	4420	5920	3470	4780	2810
	-4,5 m kg	*10430	5840	7500	4290	5790	3350	4670	2710
	-6,0 m kg	*10400	5830	7450	4240	5730	3300	4620	2660
	-7,5 m kg	*10030	5900	7480	4270	5740	3300	4620	2660
	-9,0 m kg	*9400	6060	*7570	4370	5810	3370	4680	2720
	-10,5 m kg	*8440	6290	*6850	4540	*5670	3510	*4710	2850
	-12,0 m kg	*7000	6630	*5700	4800	*4630	3740	-	-

		12,0 m		13,5 m		15,0 m		Max. reach		Max.
		Along UC	Across UC	Along UC	Across UC	Along UC	Across UC	Along UC	Across UC	m
Boom : 1,02m	13,5 m kg	-	-	-	-	-	-	*1310	*1310	13
Arm : 7,9m	12,0 m kg	-	-	*1850	*1850	-	-	*1230	*1230	14,2
Shoe : 800mm	10,5 m kg	-	-	*2430	*2430	*1300	*1300	*1180	*1180	15,1
CWT : 6800kg	9,0 m kg	-	-	*2750	*2750	*2030	*2030	*1160	*1160	15,9
	7,5 m kg	-	-	*2850	2740	*2490	2180	*1160	*1160	16,5
	6,0 m kg	*3120	*3120	*3000	2640	*2870	2120	*1160	*1160	16,9
	4,5 m kg	*3380	3130	*3190	2520	*3050	2030	*1190	*1190	17,2
	3,0 m kg	*3680	2940	*3400	2380	3190	1940	*1230	*1230	17,4
	1,5 m kg	*3980	2750	*3620	2250	3090	1850	*1280	*1280	17,4
	0 m kg	4240	2580	3540	2120	3000	1760	*1360	1340	17,3
	-1,5 m kg	4080	2430	3430	2020	2920	1680	*1460	1350	17
	-3,0 m kg	3960	2320	3340	1930	2860	1630	*1600	1380	16,6
	-4,5 m kg	3880	2240	3280	1880	2830	1600	*1780	1450	16,1
	-6,0 m kg	3840	2200	3260	1860	2830	1600	*2040	1560	15,4
	-7,5 m kg	3850	2210	3290	1880	-	-	*2400	1730	14,5
	-9,0 m kg	3910	2270	-	-	-	-	*2980	2000	13,4
	-10,5 m kg	-	-	-	-	-	-	*3860	2440	12
	-12,0 m kg	-	-	-	-	-	-	*3900	3250	10,1

EQUIPMENT.

STANDARD EQUIPMENT

	EC250D	EC300D
Engine		
Turbocharged, 4 stroke diesel engine with water cooling, direct injection and charged air cooler that meets Tier 4i EU (Stage IIIB) requirements	•	•
Air filter with indicator	•	•
Air intake heater	•	•
Cyclone precleaner	•	•
Electric engine shutoff	•	•
Fuel filter and water separator	•	•
Fuel filler pump: 50 l/min, with automatic shutoff	•	•
Alternator, 80 A	•	•
Electric/Electronic control system		
Contronics	•	•
Advanced mode control system	•	•
Selfdiagnostic system	•	•
Machine status indication	•	•
Engine speed sensing power control	•	•
Automatic idling system	•	•
Onetouch power boost	•	•
Safety stop/start function	•	•
Adjustable LCD color monitor	•	•
Master electrical disconnect switch	•	•
Engine restart prevention circuit	•	•
Highcapacity halogen lights:	•	•
Frame-mounted 2	•	•
Boom-mounted 1	•	•
Batteries, 2 x 12 V / 200 Ah	•	•
Start motor, 24 V / 5.5 kW	•	•
Hydraulic system		
Hose rupture valve: boom	•	•
Overload warning device	•	•
Automatic sensing hydraulic system	•	•
Summation system	•	•
Boom priority	•	•
Arm priority	•	•
Swing priority	•	•
"ECO" mode fuel saving technology	•	•
Boom, arm and bucket regeneration valves	•	•
Swing antirebound valves	•	•
Boom and arm holding valves	•	•
Multistage filtering system	•	•
Cylinder cushioning	•	•
Cylinder contamination seals	•	•
Auxiliary hydraulic valve	•	•
Automatic twospeed travel motors	•	•
Hydraulic oil, ISO VG 46	•	•
Frame		
Access way with handrail	•	•
Tool storage area	•	•
Punched metal antislip plates	•	•
Undercover (heavyduty)	•	•
Full height counterweight:		
4950 kg	•	•
6200 kg Long Reach	•	•
5500 kg		•
6800 kg Long Reach		•
Cab and interior		
ROPS (ISO121172) certified cab	•	•
Silicon oil and rubber mounts with spring	•	•
Travel pedals and hand levers	•	•

	EC250D	EC300D
Adjustable operator seat and joystick control console	•	•
Control joysticks with 4 switches each	•	•
Heater & airconditioner, automatic	•	•
Flexible antenna	•	•
AM/FM stereo with CD player and MP3 input	•	•
Hydraulic safety lock lever	•	•
Cab, allweather sound suppressed, includes:	•	•
Cup holders	•	•
Door locks	•	•
Tinted glass	•	•
Floor mat	•	•
Horn	•	•
Large storage area	•	•
Pullup type front window	•	•
Removable lower windshield	•	•
Seat belt	•	•
Safety glass	•	•
Sun screens, front, roof, rear	•	•
Rain shield	•	•
Windshield wiper with intermittent feature	•	•
Rear view camera	•	•
Master key	•	•
Undercarriage		
Undercover (heavyduty)	•	•
Hydraulic track adjusters	•	•
Greased and sealed track link	•	•
Track Guard	•	•
Track shoes		
600 mm with triple grousers	•	•
800 mm with triple grousers Long Reach	•	•
Digging equipment		
Boom: 6.0 m monoblock	•	
Arm: 2.97 m	•	
Boom: 10.2 m monoblock, Long Reach	•	
Arm: 7.85 m, Long Reach	•	
Boom: 6.2 m monoblock		•
Arm: 3.05 m		•
Boom: 10.2 m monoblock, Long Reach		•
Arm: 7.9 m, Long Reach		•
Manual centralized lubrication	•	•

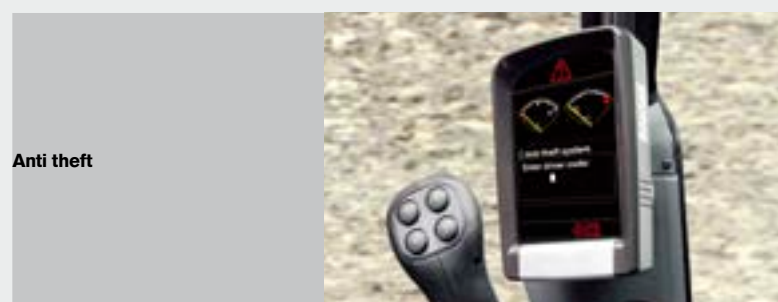
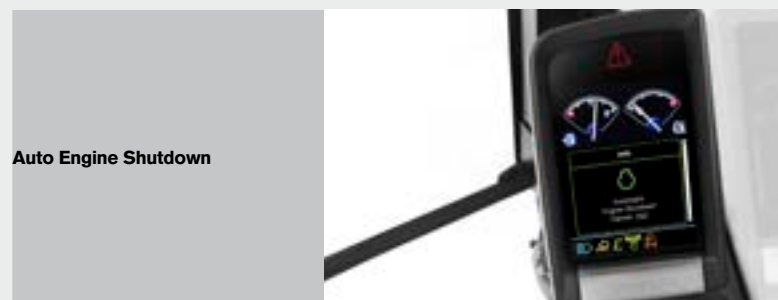
OPTIONAL EQUIPMENT

	EC250D	EC300D
Engine		
Block heater: 120 V, 240 V	•	•
Oil bath pre-cleaner	•	•
Diesel coolant heater, 10 kW	•	•
Water separator with heater	•	•
Auto engine shutdown	•	•
Electric		
Extra lights:	•	•
Cab-mounted 3	•	•
Boom-mounted 1	•	•
Counterweight-mounted 1	•	•
Travel alarm	•	•
Anti-theft system	•	•
Rotating warning beacon	•	•

OPTIONAL EQUIPMENT

	EC250D	EC300D
Hydraulic system		
Hose rupture valve: arm	•	•
Boom float function with HRV	•	•
Boom float function without HRV	•	•
Hydraulic piping:	•	•
Attachment management system (up to 18 programmable memories)	•	•
Hammer & shear, 1 and 2 pump flow	•	•
Hammer & shear:		
variable flow and pressure pre-setting	•	•
Additional return filter	•	•
Slope & rotator	•	•
Grapple	•	•
Oil leak (drain) line	•	•
Quick coupler piping	•	•
Volvo hydraulic quick coupler S1	•	
Volvo hydraulic quick coupler S2	•	•
Volvo hydraulic quick coupler U24	•	
Volvo hydraulic quick coupler U29		•
Hydraulic oil, biodegradable 46	•	•
Hydraulic oil, longlife oil 32	•	•
Hydraulic oil, longlife oil 46	•	•
Hydraulic oil, longlife oil 68	•	•
Cab and interior		
Fabric seat with heater	•	•
Fabric seat with heater and air suspension	•	•
Opening top hatch	•	•
Falling object guard (FOG)	•	•
Frame-mounted	•	•
Cab-mounted	•	•
Cab-mounted falling object protective structure (FOPS)	•	•
Smoker kit (ashtray and lighter)	•	•
Screen guard for front window	•	•
Lower wiper with intermittent control	•	•
Anti-vandalism kit	•	•
Specific key	•	•
Undercarriage		
Full track guard	•	•
Track shoes		
600/700/800/900 mm with triple grousers	•	•
Track shoes 700 mm with double grousers	•	•
Digging equipment		
Boom: 6,0 m monoblock, heavy duty	•	
Boom: 5,95 m 2 piece boom	•	
Boom: 10,2 m monoblock, long reach	•	
Arm: 2,5 m HD, 2,97 m HD, 3,6 m	•	
Arm: 7,85 m, long reach	•	
Boom: 5,95 m 2 piece boom		•
Boom: 10,2 m monoblock, long reach		•
Arm: 2,55 m HD, 3,05 m HD, 3,7 m		•
Arm: 7,9 m, long reach		•
Linkage with lifting eye	•	•
Extended greasing bushing	•	•
Service		
Tool kit, daily maintenance	•	•
Tool kit, full scale	•	•
Automatic lubrication system	•	

SELECTION OF VOLVO OPTIONAL EQUIPMENT



VOLVO CONSTRUCTION EQUIPMENT



Volvo Construction Equipment is different. Our machines are designed, built and supported in a different way. That difference comes from an engineering heritage of over 180 years. A heritage of thinking first about the people who actually use the machines. About how to help them be safer, more comfortable, more productive. About the environment we all share. The result of that thinking is a growing range of machines and a global support network dedicated to helping you do more. People around the world are proud to use Volvo.

Not all products are available in all markets. Under our policy of continuous improvement, we reserve the right to change specifications and design without prior notice. The illustrations do not necessarily show the standard version of the machine.

VOLVO

Volvo Construction Equipment
www.volvoce.com

Ref. No 20026776-B
2013.05
Volvo, Global Marketing

English-IL-30
EXC