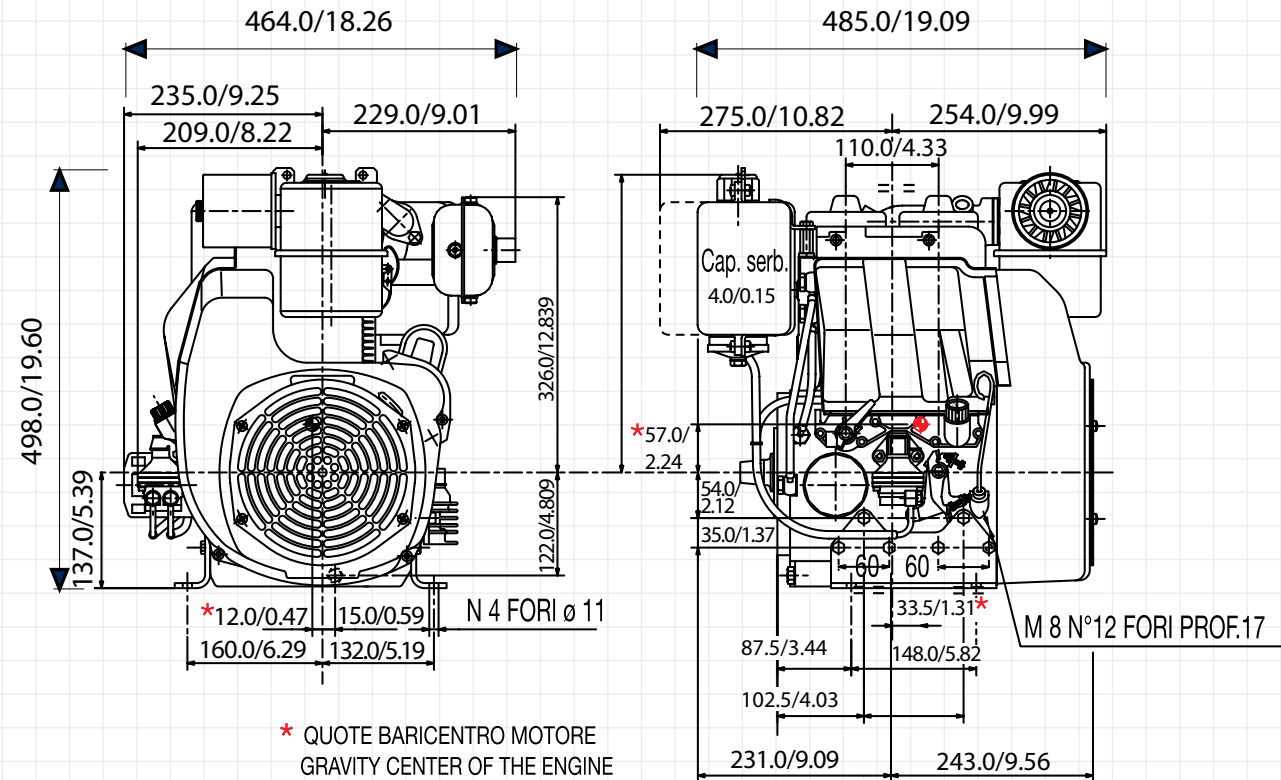


KOHLER Diesel

Model KD425-2

Technical Drawings

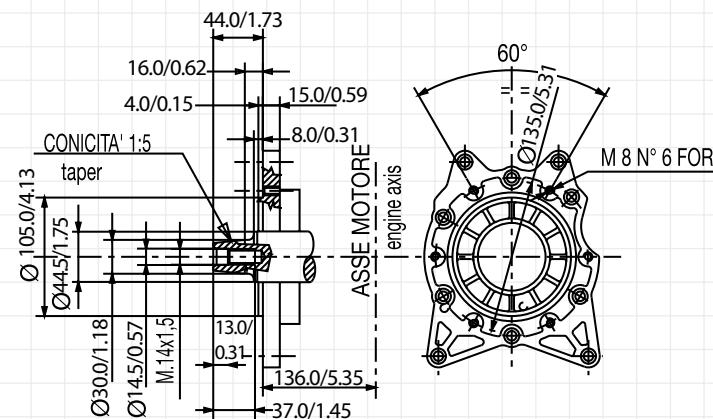


Standard Equipment

- Low oil pressure safety shutdown
- Electric Starter with 12 V Alternator
- Remote Throttle
- Dry-Type Air Filter with Prefilter
- External Oil Filter
- Oil Pressure Switch
- 1½" Diameter Keyed Integral Crankshaft with 7" Mounting Flange
- Downward Muffler Angled Towards Flywheel End
- Engine Feet
- Power Takeoff on Crankshaft
- Keyswitch Panel
- Fuel Lift Pump
- Counterclockwise Rotation (PTO Side)
- Automatic Extra Fuel Device
- Oil Cooler

Accessories

- Extended Wiring Harness
- SAE 2A-9T Hydraulic Pump Adapter
- 1" Threaded Pump with Integral Crankshaft
- SAE J609a Ext 6 Crankshaft with Metric Type B Mounting Flange



KOHLER Diesel

Model KD425-2

2 Cylinders • 851 cc • 14 kW/18.8 hp • 3600 rpm • 31 ft lbs @ 2200 rpm

Certification

- EPA TIER 4
- ECE R 24-03

Features

- 4-Stroke Air-Cooled Diesel Engine
- Direct Fuel Injection
- Flywheel Fan Air Cooling
- Mechanical Fuel-Feeding Supplement
- Full-Pressure Lubrication
- Full-Flow Oil Filter
- Automatic Mechanical Fuel Supplement
- Variable-Speed Governor
- Aluminum Crankcase
- 12 V Electric Starter
- Counterclockwise Rotation (PTO Side)
- Aluminum Alloy Independent Heads
- Reborable Independent Cast-Iron Cylir

Applications

- Power Buggy
- Vibrating Roller
- Generator
- Welder
- High-Pressure Cleaner
- Hydraulic Power Pack
- Agricultural Pump
- Two-Wheel Tractor

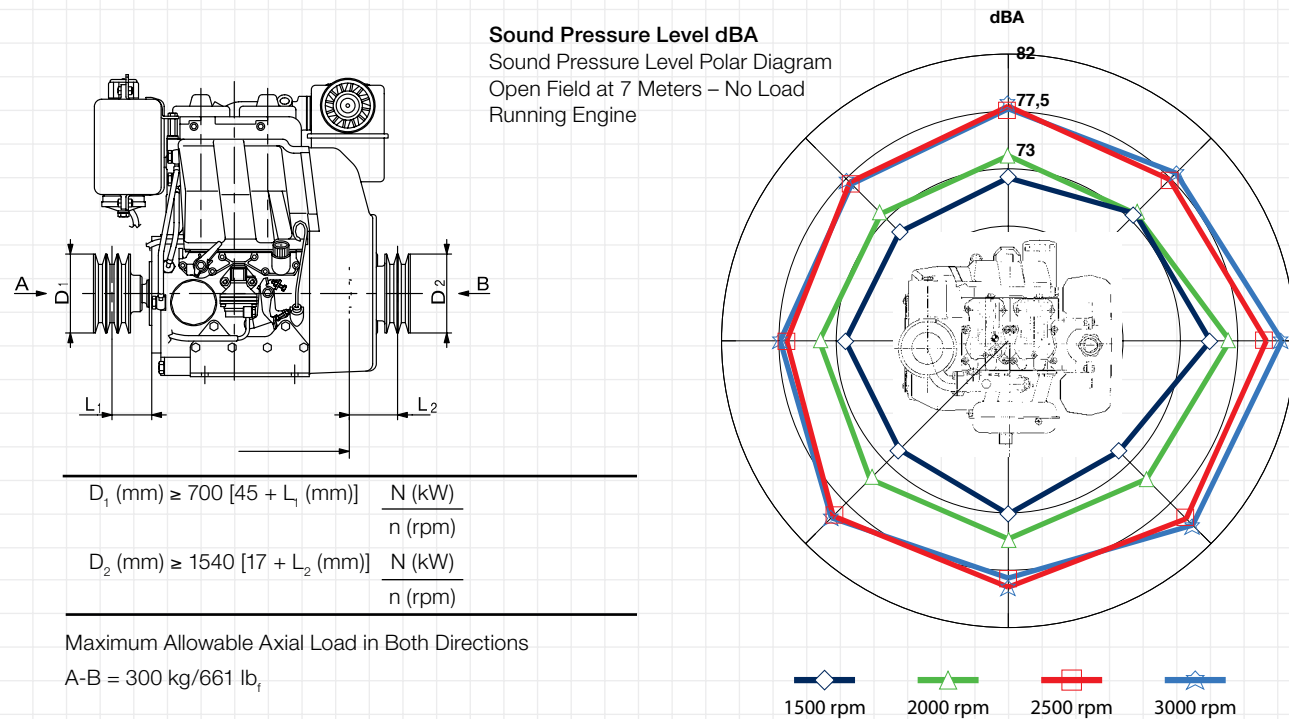


KOHLER Diesel

Model KD425-2

Specifications

Cylinders	No. of Cylinders	2
Displacement	cc/cu in	851/51.9
Bore	mm/in	85/3.3
Stroke	mm/in	75/3
Compression Ratio		19:1
Rating kW/hp	N (80/1269/CEE) ISO 1585	14/18.8
	NB ISO 3046 IFN	13/17.4
	NA ISO 3046 ICXN	12/16.1
Max. Torque	Nm/ft lbs @ 2200 rpm	42/31
Max. Torque 3 PTO	Nm/ft lbs	18.0/13.3
Counterclockwise Rotation		
Engine Speed – 3 PTO Ratio		1:0.87
Minimum Idling Speed rpm		1000
Fuel Tank Capacity	liters/quarts	4/4.2
Oil Consumption	kg/h/lb/h	0.0085/0.0187
Oil Capacity	liters/quarts	1.8/1.9
Minimum Allowable Oil Pressure	bar/psi	0.8/11.6
Maximum Allowable Angle of Operation (Peak Values)		25° (35°)
Volume of Air Required for Correct Combustion @ 3600, 3000 rpm	liters/min/cfm	1330,1110/47,39
Volume of Air Required for Correct Cooling @ 3600, 3000 rpm	liters/min/cfm	14200,11835/501,418
Dry Weight	kg/lb	53/116.8
Recommended Minimum Battery Size	V/CCA Standard, Heavy-Duty	12/600, 640
Axial Load (Continuous)	kg/lb	100/220
(Intermittent)	kg/lb	300/661
Minimum Pulley Diameters for Belt Drive		

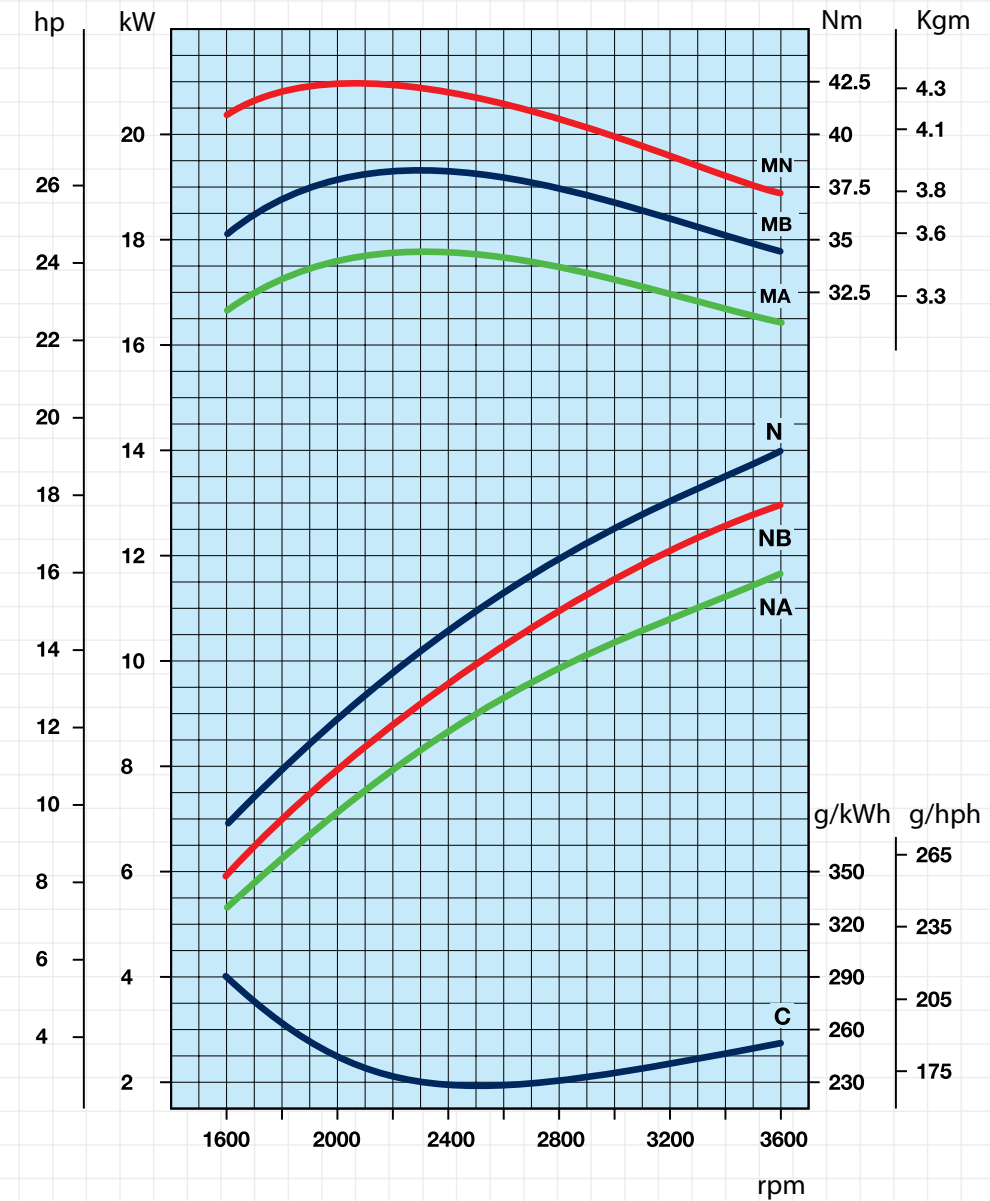


KOHLER Diesel

Model KD425-2

Curves

KD425-2 @ 3600 rpm



Output Power for Fixed-Speed Application
(Including Generators)

Engine Power kW

rpm	Intermittent (NB)	Continuous (NA)
3600	13.0	12.0
3000	11.5	10.5