



TEREX® | TRUCKS

TA250

ARTICULATED DUMP TRUCK



Specifications

Maximum Payload	25 tonne (27.5 US Ton)
Heaped Capacity	15.5m ³ (20.3 yd ³)
Gross Power	232 kW (311 hp)
PLI Tier 4i	A1106
PLI Tier 2	A1113

Features

- ▶ High powered, heavy-duty truck providing class leading performance and ability to go where others can't follow
- ▶ Outstanding fuel efficiency
- ▶ World class operator environment
- ▶ Rigorously tested in extreme conditions for proven power, productivity and reliability
- ▶ Superior gradeability and higher top speeds increase production

**GENERATION
9**

SPECIFICATIONS

ENGINE

Engine	Scania DC9
Type	5 cylinder, in line, four cycle, direct injection diesel, water cooled, turbo charged with air to air charge cooling and engine exhaust brake
Piston Displacement	9.3 litres
Bore x Stroke	130 x 140 mm
Gross Power	232 kW (311 hp) @ 1,800 rpm
Net Power	214 kW (287 hp) @ 2,100 rpm
Maximum Torque	1,673 Nm @ 1,400 rpm
Gross Power rated	SAE J1995 Jun 90
Engine Emissions	US Tier 4i/EU Stage 3B. Variant available to meet US Tier 2/EU Stage 2.
Electrical	24 volt electric start. 100A alternator. Two 12 volt 175 Ah batteries
Air Cleaner	Dry-type air cleaner with safety element, automatic dust ejector and restriction indicator
Fan	Modulating fan reduces noise level and consumes engine power as required. Note: Net hp with fan clutch disengaged
Altitude	Electronic derate 3,000 m

TRANSMISSION

ZF 6WG 260 RPC. Fully automatic with manual over-ride and retarder.

Assembly: Consists of a torque converter close-coupled to a countershaft type gearbox with integral output transfer gearing. Automatic shifting throughout the range, with kick-down feature. Lockup in all forward gears. A torque-proportioning output differential transmits drive permanently to front and rear axles. This differential may be locked by the driver for use in difficult traction conditions. Auto slip sensing ergo traction fitted as standard.

Speeds (Fully Laden) km/h	Gear	Forward	Reverse
	1	5.6	5.6
	2	8.6	13.3
	3	13.3	30.2
	4	20.6	-
	5	30.2	-
	6	50	-

AXLES

Heavy duty axles with fully floating axle shafts and outboard planetary reduction gearing. The three axles are in permanent all-wheel drive (6x6) with a differential coupling between the front and rear axles. All three axles also have hydraulically actuated multiplate transverse diff-lock differentials for 100% cross-axle lock up. The inter-axle and cross-axle diff locks are controlled by the operator, and can be actuated when required in poor traction conditions.

Differential ratio	3.875 : 1
Planetary reduction	5.71 : 1
Overall Drivetrain reduction	22.12 : 1

SUSPENSION

Front	Axle is carried on the leading arms of a sub-frame which pivots on the main frame.
Rear	Each axle is coupled to the frame by three rubber-bushed links with lateral restraint by a transverse link. Pivoting inter-axle balance beams equalise load on each rear axle. Suspension movement is cushioned by rubber/metal laminated compression units between each axle and underside of balance beam ends. Pivot points on leading and trailing links are rubber-bushed and maintenance-free.

STEERING

Hydrostatic power steering by two double-acting cushioned steering cylinders with pressure supplied by a variable displacement / load sensing piston pump. An audible alarm and warning light indicates should the second system activate.

Steering angle to either side	45°
Lock to lock turns, steering wheel	4
System pressure	241 bar
SAE Turning Radius	8,470 mm
Clearing Radius	8,950 mm

FRAME

Front and rear frames are all-welded high grade steel fabrications with rectangular box-section beams forming the main side and cross members. Inter-frame oscillation is provided by a large diameter cylindrical coupling which houses nylon bushings. Frames articulated 45° to either side for steering by means of two widely-spaced pivot pins in back-to-back sealed taper roller bearings.

BODY

All-welded construction, fabricated from high hardness (min 360 BHN) 1 000 Mpa yield strength steel. Dual slope tailchute improves material ejection from body.

Plate thickness:	Floor and tailchute	14.0 mm
	Sides	12.0 mm
	Front	8.0 mm
Volume:	Struck	12.5 m³
	Heaped 2:1 (SAE)	15.5 m³

HOIST

Two single-stage, double-acting hoist cylinders, cushioned at the base end. Variable displacement / load sensing piston pump driven from power take-off on transmission. Full flow return line filtration. Full electro-hydraulic hoist control, with electronic detent in power down.

System pressure	220 bar	Raise (loaded)	12 seconds
Pump output flow rate	4.9 liter/sec	Lower	7.5 seconds

BRAKES

All hydraulic braking systems with multiplate sealed and oil cooled brake packs at each wheel. Independent circuits for front and rear brake systems.

Parking	Spring-applied, hydraulic-released disc on rear driveline
Secondary	Secondary brake control actuates service and parking brakes

CAPACITIES

Fuel Tank	370 liters
Hydraulic System (Steering & Body)	256 liters
Engine Crankcase	45 liters
Cooling System	48.8 liters
Transmission (inc filters and cooler)	49 liters
Differential - Front & Rear (each)	21 liters
Differential - Centre	23 liters
Planetaries - (each)	7.5 liters
DEF System (only applicable on Tier 4i model)	52 liters

TIRES AND WHEELS

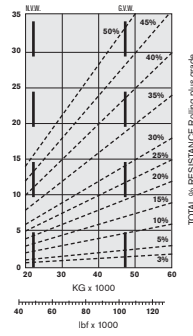
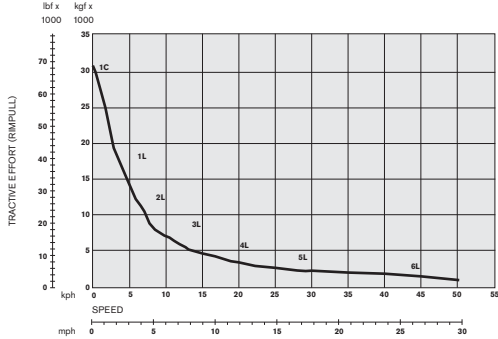
Tires	Standard 23.5. Optional 750/65
Rims	Standard 25x19.50. For optional tyre, 25x22.00
Wheels	3-piece earthmover rims with 12 stud fixing

PERFORMANCE DATA

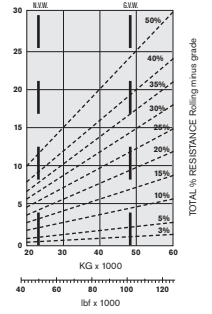
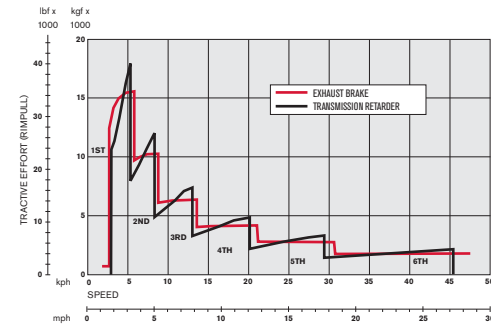
TA250

Graphs based on 2% Rolling Resistance

GRADEABILITY

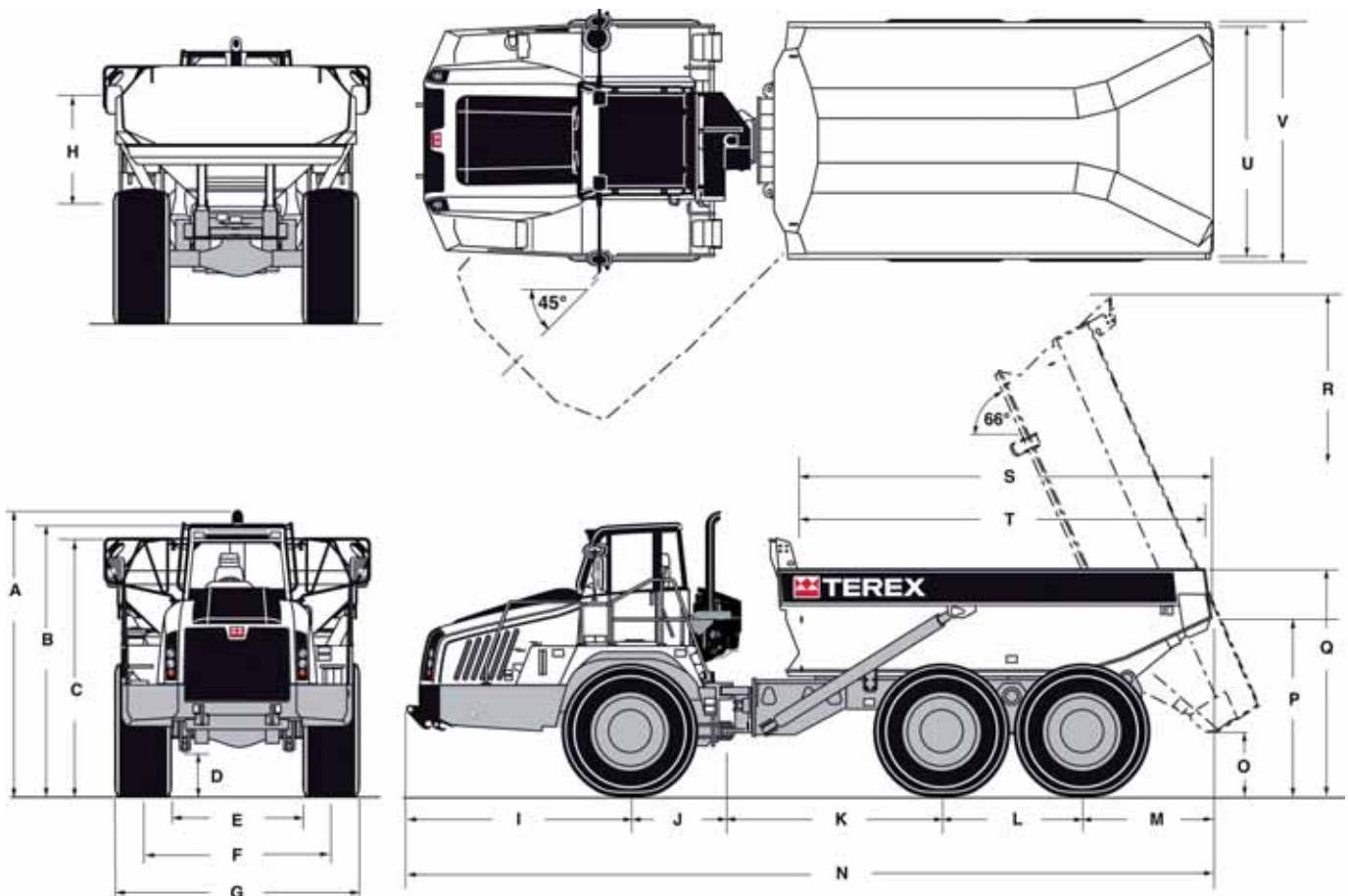


RETARDATION



Instructions: From intersection of vehicle weight with percentage resistance line read across to determine maximum gear attainable, and then downwards for vehicle speed.

DIMENSIONS



STANDARD SPECIFICATION

CAB

2 Doors	Power Window (LHS)
Air Conditioning	Reverse Camera With Colour Monitor
Body Hoist Control, Servo Assisted	ROPS Protection (Body Cabguard), ISO 3471/SAE J1040
CD/Radio Player	Seat , Operator, Air Suspension
Cup Holder	Seat Belt, Operator 4-Point Harness
FOPS Protection, ISO 3449/SAE J231	Seat, Trainer
Heater/Demister	Steering Wheel, Padded with Tilt
Horn	Storage Compartment
Insulation, Thermal and Acoustic	Sun Visor
Interior Light	Tinted Glass
Mirrors	Wiper And Washer, Windscreen
Power Port, 24V & 12V	

GAUGES

Coolant Temperature	Odometer
Engine Oil Pressure	Speedometer
Fuel Level	Tachometer
Hourmeter	Transmission Oil Temperature

WARNING INDICATOR LIGHTS

Air Cleaner Restriction	Engine Overspeed
Air Filter Restriction Indicator	Engine Stop
Alternator Charging	Headlight Main Beam
Body Up	In-Converter
Brake Cooling Oil Temperature, High	Parking Brake
Brakes Front, Low Pressure	Retarder Active
Brakes Rear, Low Pressure	Steering and Brake Tank, Low Oil Level
Direction Indicator	Steering Filter Restriction
Engine Check	Steering, Low Pressure
Engine Coolant Level	Transmission Check
Engine Coolant Temperature	Transmission Oil Filter Restriction
Engine Maintenance	Transmission Oil Temperature, High
Engine Oil Pressure	

AUDIBLE ALARMS

Brakes Front, Low Pressure	Brakes Rear, Low Pressure
Steering, Low Pressure	

BRAKING SYSTEM

50% Front Brake Pressure Reducer (Option)	Brake Retarder (Rear)
Front Dry Disc Brakes	OCDB Oil Cooler
Hydraulically Actuated Dual Circuits	Oil-Cooled Multiple-Disc (Rear)
Park Brake Integral To Rear Brake Pack	Rear Light Assembly - LED

ENGINE

Charge Air Cooler	Fuel Filter/Water Separator
Air Cleaner with Precleaner	Sump Guard
Direct Drive Fan	

TRANSMISSION

Body-Up Reverse Interlock	Neutral Start Interlock
Body-Up Shift Inhibitor	Power and Economy Mode Selection
Downshift Inhibitor	Shift Energy Management
Filter Restriction Shift Inhibitor	Stall Check and Limp Home Selection
Hydraulic Retarder	Sump Guard

ELECTRICAL

Alternator, 70A	In-Cab Diagnostics, Engine/Transmission
Batteries, 2 x 12V, 165Ah	Reverse Alarm
Battery Master Switch, Electrically Operated	Side, Tail, Stop and Reverse Lights
Direction Indicators And Hazard Warning	Side, Tail, Stop Lights (Led)
Headlights	

BODY

Body Down Indicator	Tyre Guards
Exhaust Heated	Safety Locking Pins
Mud Flaps	Rock Ejectors
Operator Guard - LHS	Operator Guard - Rhs

OTHER

Diagnostic Pressure Test Points	Diagnostic Pressure Test Points
Exhaust Muffler	Handrails on Fenders

OPTIONAL EQUIPMENT

GENERAL

Alternator, 100A	Front Brake Pressure Reduction System
Auto Lubrication System	Full Time Exhaust
Auxiliary Jump-Start Receptacle	Ground Level Isolation Security Box
Beacon - Flashing	Ground Level Isolation Switch
Beacon - Rotating	Hand Tool Kit
Body Liner Plates	Oil Drain Kit
Body Side Extensions - 200 mm	Payload Monitoring System
Body Spill Guard	Rear Light Assembly - LED with Broadband Reverse Alarm
Body Up Buzzer	Reverse Light - Flashing
Deluxe Seat Option - Heavy Duty	Seat Belt - Lap
Engine Overspeed Protection System	Start Interlock - Parkbrake
Fast Fuel Installation	Step Lighting Kit
Fire Suppression System	Step Mudflaps

www.terextrucks.com

Effective Date: July 2014. Product specifications and prices are subject to change without notice or obligation. The photographs and/or drawings in this document are for illustrative purposes only. Refer to the appropriate Operator's Manual for instructions on the proper use of this equipment. Failure to follow the appropriate Operator's Manual when using our equipment or to otherwise act irresponsibly may result in serious injury or death. The only warranty applicable to our equipment is the standard written warranty applicable to the particular product and sale and Terex Trucks makes no other warranty, express or implied. © 2014 Terex Trucks.

Ref. no.: TERE660EN

Terex Equipment Ltd

Newhouse Industrial Estate, Motherwell, ML1 5RY
Tel: +44 (0) 1698 732121 Fax : +44 (0) 1698 734046
www.terextrucks.com



TEREX® TRUCKS